

Pneumatically actuated 3-way ball valves, single / double acting VP3V S4-PVC



- ND 10 to ND 50
 - In-line pattern
 - Pneumatic actuator
- Single or double acting, Position index**

APPLICATIONS

Pneumatically actuated 3-way ball valves are useful for redirecting or to stop the flow of fluids in plants. These models in plastics are designed for aggressive liquids. The options permit automatic operations.

TECHNICAL FEATURES

Valve materials

Body:	PVC
Seals:	EPDM or FPM
Ball:	PVC
Ball seating joints:	PTFE
Ball shapes:	L shape or T shape
Process connections:	Unions (<i>solvent sockets</i>)
Pressure:	10 bar as a maximum up to 20°C, <i>see the diagram P vs. T</i>

Pneumatic actuator

	Single or Double acting
Control pressure:	6 bar as a minimum, 8 bar as a maximum
Connections:	1/4" G
According to:	NAMUR VDI/VDE 3845 and ISO 5211

OPTIONS

- Limit switch box
- Pilot valve: 3/2-way solenoid valve (*single effect*)
- Pilot valve: 5/2-way solenoid valve (*double effect*)

CODE NUMBERS AND REFERENCES

Single acting / NC					
d	ND	L shape / EPDM seal	L shape / FPM seal	T shape / EPDM seal	T shape / FPM seal
16	10	913 061	913 068	913 103	913 110
20	15	913 062	913 069	913 104	913 111
25	20	913 063	913 070	913 105	913 112
32	25	913 064	913 071	913 106	913 113
40	32	913 065	913 072	913 107	913 114
50	40	913 066	913 073	913 108	913 115
63	50	913 067	913 074	913 109	913 116
Double acting					
16	10	913 089	913 096	913 131	913 138
20	15	913 090	913 097	913 132	913 139
25	20	913 091	913 098	913 133	913 140
32	25	913 092	913 099	913 134	913 141
40	32	913 093	913 100	913 135	913 142
50	40	913 094	913 101	913 136	913 143
63	50	913 095	913 102	913 137	913 144

BAMO MESURES

22, Rue de la Voie des Bans - Z.I. de la Gare - 95100 ARGENTEUIL
 Tél : (+33) 01 30 25 83 20 - Web : www.bamo.fr
 Fax : (+33) 01 34 10 16 05 - E-mail : info@bamo.fr

**Pneumatically actuated
3-way ball valves
VP3V S4-PVC**

14-03-2014

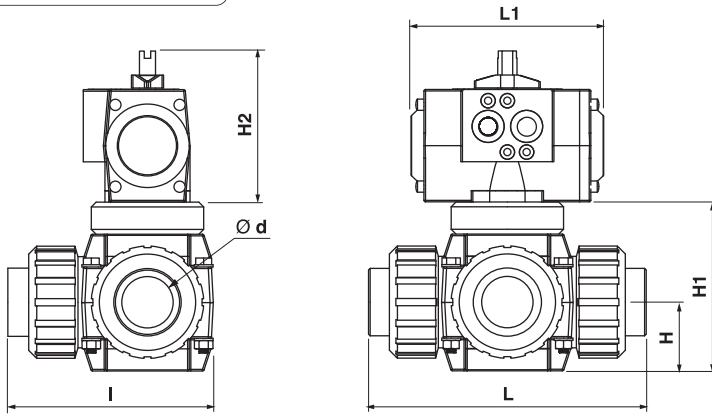
913 I1 02 F

PLAS

913-02/1

913

DIMENSIONS



Double effect

ND	10	15	20	25	32	40	50
d	16	20	25	32	40	50	63
H	33	33	40	43	51	56	64
H1	86	86	100	106	130	155	168
H2	91	91	91	91	91	112	112
L	138	138	163	169	222	231	264
L1	119	119	119	119	119	160	160
I	95	95	116	119	161	166	192

Single effect

ND	10	15	20	25	32	40	50
d	16	20	25	32	40	50	63
H	33	33	40	43	51	56	64
H1	86	86	100	106	130	155	168
H2	91	91	112	112	112	112	132.5
L	138	138	163	169	222	231	264
L1	119	119	160	160	119	160	175
I	95	95	116	119	161	166	192

OPERATING FEATURES

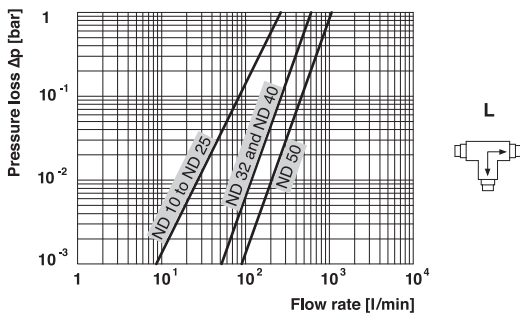
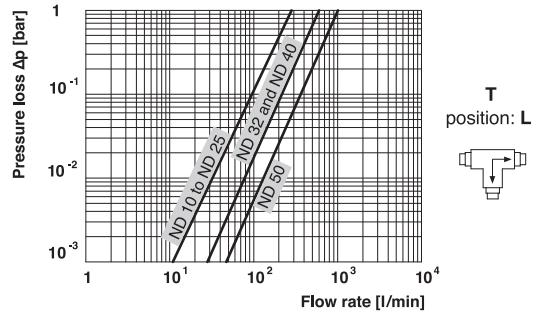
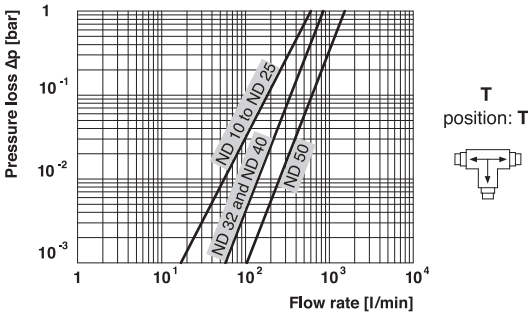
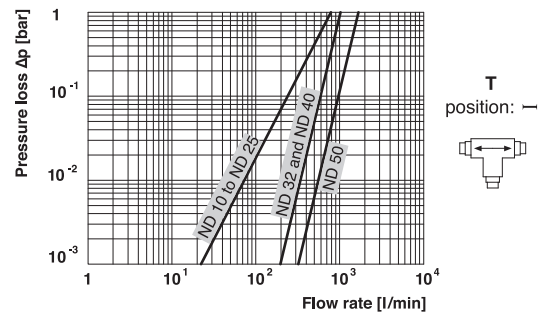
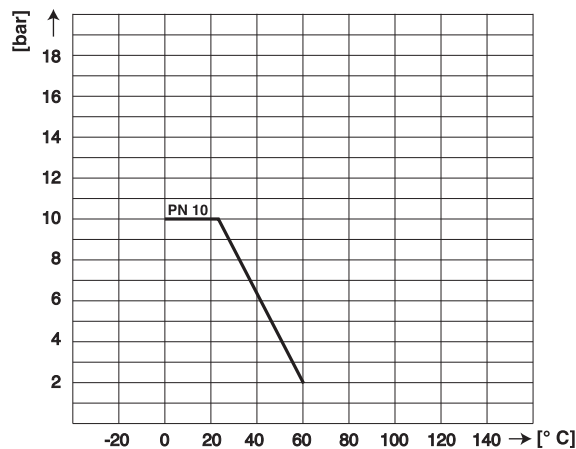


Diagram pressure loss vs flow rate
[water at 20°C]



Pressure vs. temperature diagram



BAMO MESURES

22, Rue de la Voie des Bans - Z.I. de la Gare - 95100 ARGENTEUIL

Tél : (+33) 01 30 25 83 20 - Web : www.bamo.fr

Fax : (+33) 01 34 10 16 05 - E-mail : info@bamo.fr

Pneumatically actuated
3-way ball valves
VP3V S4-PVC

14-03-2014

913 I1 02 F

PLAS

913-02/1