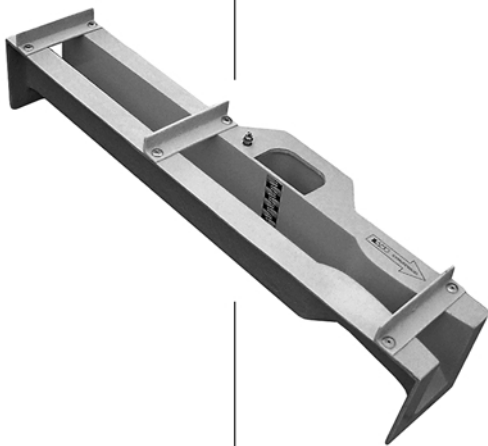


# VENTURI CHANEL FLOW CALCULATOR BAMOCAL 759



- Level measure 4-20mA input.
- Microprocessor controlled.
- Measure and text on LCD back lighted display
- Display:
  - Level
  - Instant flow
  - Day volume with reset
  - Permanent volume
- Programmed curves for open Venturi Chanel or normalized U / V NOTCH
- 3 change over contacts outputs:
  - Flow contact consigne
  - Waste water sampler start
  - Counting puls output
- Galvanic isolated 4- 20 mA output
- Wall or panel mounting

## OPTIONS

- RS422 or RS485 J-BUS protocol link
- Data logger about 348 000 measures

## DESCRIPTION

Wall or panel mounting format, it is controlled by microprocessor. Only one LCD back lighted 16 alphanumeric characters display, allows easy instant flow (or level) measure, or cumulated volume, visualisation. Configuration is done by a simple step-trough menu for all setting.

4-20 mA input, proportionnal from water high, can be transmet from BAMOBUL (air bubbles system) or BAMEcho (ultrasonic sensor DOC 755/9). BAMOCAL 759 uses directly input signal, to convert in flow measure, with internal storage of calculation laws concerning all of ours ISO 4359 venturi chanel or normalized U/V NOTCH, most commonly used.

On request, a specific curve can be done by our staff. you just have to communicate your venturi chanel curve. We dispose an isolated 4-20 mA output, flow image. Puls output allows past volume transmittion. RS422 output is available to communicate datas to a computer, relays status, instant flow value,...

A "logger" option to memorize 348 000 measures values (memorization every minutes during 6 months) which will be tranfert, through RS422 cable, to a computer for spreadsheet software, Excel type.

**BAMO MESURES**

13, rue Pasteur - 95 100 ARGENTEUIL - FRANCE  
Tél : (+33) 01 30 25 83 20 - E-mail : info@bamo.fr  
Fax : (+33) 01 34 10 16 05 - Site : http://www.bamo.fr

VENTURI CHANEL FLOW  
CALCULATOR  
**BAMOCAL 759**

20/03/2003

759 I1 01 D

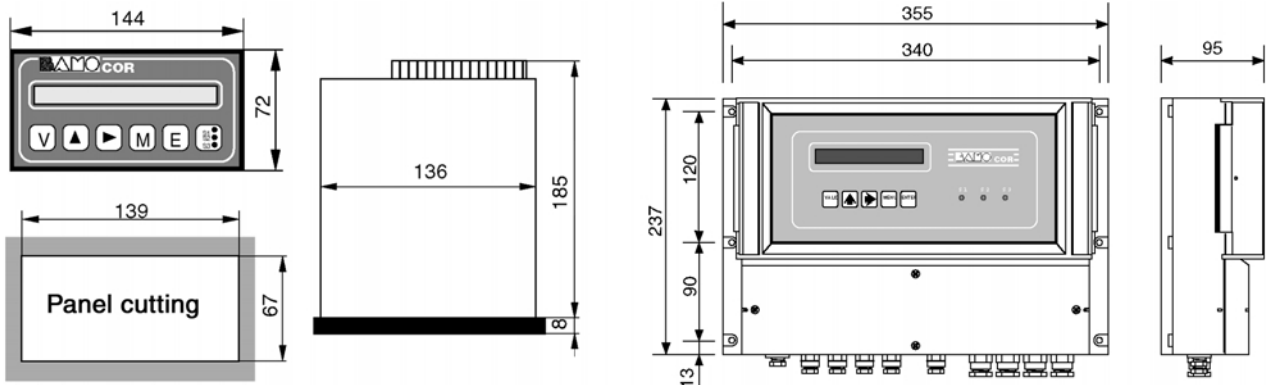
**DEB**

**759/1**

**759**

## TECHNICAL CHARACTERISTICS

|                               |   |
|-------------------------------|---|
| Displayer                     | : 16 alphanumeric characters - H = 9.22 mm - Back lighted   |
| Visualization                 | : 3 Red LEDs of relays functions, located on front panel.   |
| Programmation                 | : On front panel with 5 push-button keyboard - Password protected keyboard  |
| Measuring scale               | : Water level, Resolution 1 mm<br>Flow (m <sup>3</sup> ), Resolution 0.1 m <sup>3</sup><br>Total flow m <sup>3</sup> , Resolution 1 m <sup>3</sup>  |
| Totaliser                     | : Daily volume 4 digits with zero reset<br>Permanent drawn volume 8 digit without reset   |
| Measuring input               | : 4-20 mA proportional to the water level   |
| Programmed curves             | : Channel Venturi ISO 4959, Series 94 FL, (Series 92 / 96 FL see DEB 755)<br>normalized V (28, 31, 53, 90°) and U (10, 20, 30, 40, 50, 60)  |
| Output relays                 | : 3 Volt free change over contact rated at 500VA / 250V / 2A  |
| Alarm set                     | : Adjustable hysteresis from 0 - 100%, Time adjustment from 0 - 9999 Sec.<br>1 affected alarm for the flow measurement<br>1 for Sample control<br>1 Puls output for counting (1 pulse for 1 m <sup>3</sup> )                  |
| Measure analog output         | : 0/4 to 20 mA (max. 600 ohm) galvanic isolated proportional to the Flow rate   |
| Power supply                  | : 230 VAC ±10 % 50-60 Hz single phase - Consumption, 10 VA (117 V, 48 V, 24 V on request)   |
| Enclosure box                 | : Dimensions (mm): 72 x 144 x 185 - Weight: 1100 g<br>Protect: IP 40, front panel IP 65 - Material: Noryl, polycarbonat front panel.<br>Connection: Dismountable screwed connector  |
| Wall mounting box             | : Dimensions (mm): 355 x 237 x 95 - Weight: 1900 g<br>Protection: IP 65 - Material: ABS, front panel polycarbonat<br>Connections: Terminal screw, input by plastic cable gland.   |
| Temperature                   | : Stockage: -10 up to 70 °C - Functioning: -5 up to 50 °C   |
| <b>OPTION (not cumulable)</b> |   |
| Communication                 | : J-BUS connection - Slave binary mode - RS 422 or RS 485 - 1200 up to 9600 bauds   |
| Logger                        | : Averaged automatic registrement of measure in programmed interval.<br>Maximum registremnts number: 348 000 (Exemple: 1 minute during = 6 months datas)<br>Memory is automatically cleared after datas transfer to computer. |



## CODES & REFERENCES

| Code    | References        | Type   |
|---------|-------------------|--|
| 759 100 | BAMOCOR 759 E     | Enclosure box 72 x 144 - IP 65 - IP40 - Power supply 230 V / 50 Hz |
| 759 150 | BAMOCOR 759 E/LOG | identical 759 E + logger option 348 000 registremnts               |
| 759 152 | BAMOCOR 759 E/LOG | identical 759 E + RS 422 option J-Bus protocol                     |
| 759 200 | BAMOCOR 759 M     | Wall mounting box IP 65 - Power supply 230 V / 50 Hz               |
| 759 250 | BAMOCOR 759 M/LOG | identical 759 M + logger option 348 000 registremnts               |
| 759 252 | BAMOCOR 759 M/BUS | identical 759 M + RS 422 option J-Bus protocol                     |

# BAMO MESURES

13, rue Pasteur - 95 100 ARGENTEUIL - FRANCE  
Tél : (+33) 01 30 25 83 20 - E-mail : info@bamo.fr  
Fax : (+33) 01 34 10 16 05 - Site : http://www.bamo.fr

VENTURI CHANEL FLOW  
CALCULATOR  
**BAMOCAL 759**

DEB

759/2