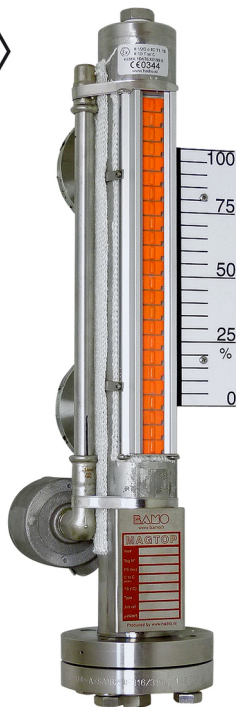


Level indicator - ATEX or/ and P.E.D. MAGTOP D



- Version ATEX or complying to Pressure Equipment Directive
- Direct reading on two-color ruler
- Temperature up to 450 °C
- Pressure up to 250 bar
- Options: Level switches, Analogue signal transmitter, graduated ruler in %

APPLICATION

Direct reading and control of level inside opaque and closed metal tanks in hazardous area ATEX or/ and under pressure requirements of Pressure Equipment Directive.

DESCRIPTION

MAGTOP D indicates instantly the level of liquid inside the tank, with a two-colour ruler with magnetic flaps actuated by the magnetic float inside the measuring tube.

Design of this series allows the installation in hazardous area on storage tank for dangerous fluids, under pressure, with high temperature. For extreme operating temperatures we provide a complete or partial insulation (fiber glass fabric).

Our MAGTOP D are made of stainless steel with lateral fittings, flanges or threaded fittings.

Other type of connection is available: coaxial or for over-tank installation (free space above the tank is equivalent to the immersion depth).

MAGTOP D is subject to approval: we submit a plan before manufacture (mandatory).

Options : Accessories

- Level switches are adjustable along the measuring tube (data-sheets 585-..)
- Analogue transmitter with a 4-20 mA output signal.
- Graduated ruler in %
- Drain valve (1/2" BSP or NPT).

Certificates available on request (before quote/ manufacturing):

- Materials certificate EN 10204 3.1
- P.E.D. 2014/68/EU
- Pressure test (bar) 2.2
- GL, LRS or BV
- NACE MR 01.75 / ISO 15156
- ATEX II 1/2 G c IIC T1...T6; II 1 D Txx °C

MAGTOP ATEX, DESIGN

Operating conditions:

Hazardous area, ATEX Class:

Liquid

S.G.

Pressure bar

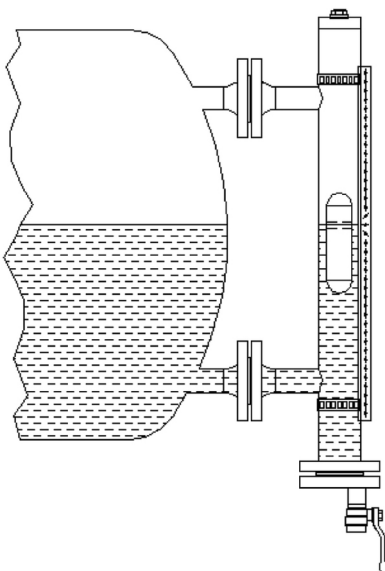
Temperature °C

Features:

Center to Center (L= CtoC in mm)

Fittings (according to specifications)

OPTIONS (according to specifications)



BAMO MESURES

22, Rue de la Voie des Bans · Z.I. de la gare · 95100 ARGENTEUIL

Tel +33 (0)1 30 25 83 20 Web www.bamo.fr

Fax +33 (0)1 34 10 16 05 E-mail info@bamo.fr

Level indicator - ATEX or/ and
P.E.D.
MAGTOP D

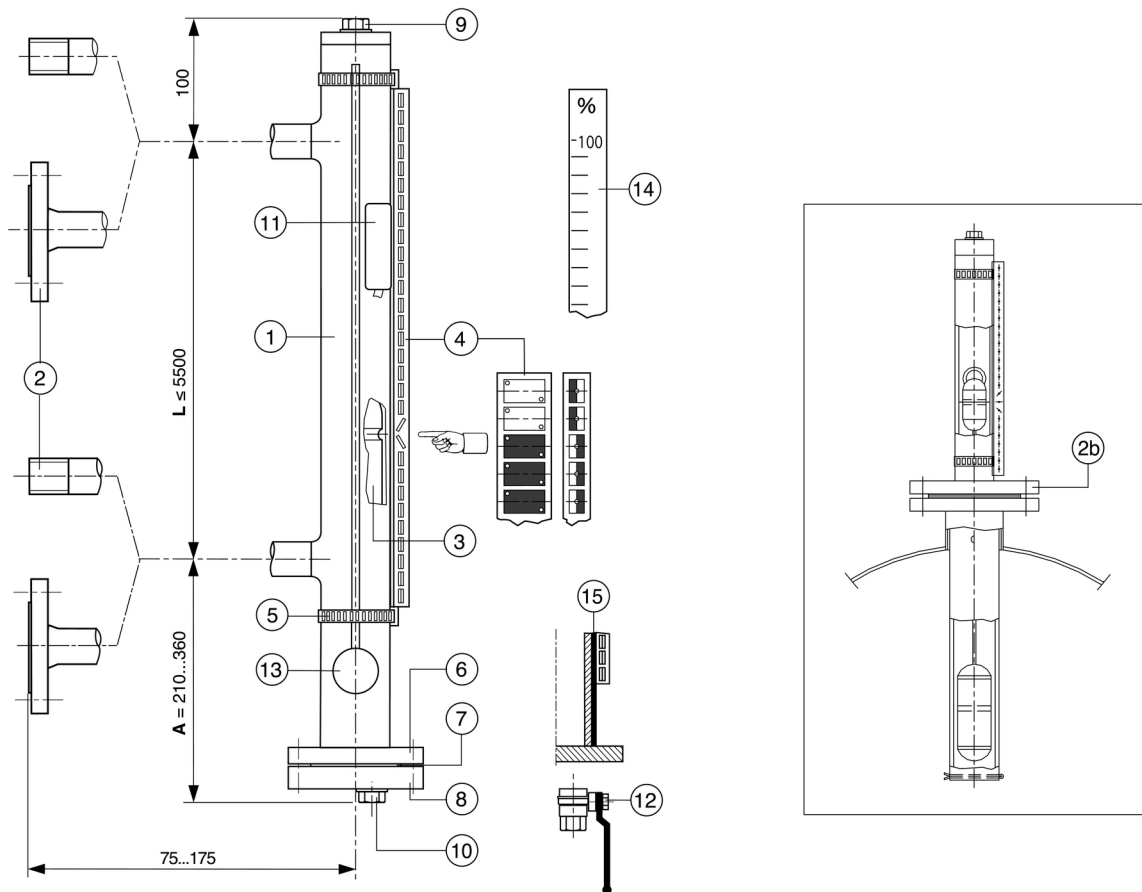
03-12-2018

D-560.03-EN-AD

NIV

560-03/1

NOMENCLATURE



1	Measuring tube O.D. 60.3 x2 mm	AISI 316 L
2	Sided tank fittings: ANSI flanges	AISI 316 L
	Sided tank fittings: ISO flanges	AISI 316 L
	Sided tank fittings: Male threads BSP or NPT	AISI 316 L
2b	Axial tank fitting: ND 50 to 150 / PN 40 ----> On request	AISI 316 L
3	Float: Dimension according to the density of the liquid	AISI 316 Ti or Titanium
4	Indicator	Aluminum/ Polycarbonate/ Glass
5	Mounting clip	AISI 301
6	Flange for float removal	AISI 316 L
7	Gasket	PTFE, Aramide, Graphite
8	Counter flange	AISI 316 L
9	Vent plug 1/2" BSP or NPT	AISI 316 L
10	Drain plug 1/2" BSP or NPT	AISI 316 L
11	OPTION : Level switch, with ATEX certification	-
12	OPTION : Drain valve 1/2" BSP or NPT	-
13	OPTION : Reed chain ±5 mm, with 4-20 mA transmitter EExia	AISI 316 L; Aluminum
14	OPTION : Graduated ruler [%]	AISI 316 L
15	OPTION : Thermic insulation (partial or total)	Fiber glass fabric

BAMO MESURES

22, Rue de la Voie des Bans · Z.I. de la gare · 95100 ARGENTEUIL
 Tel +33 (0)1 30 25 83 20 Web www.bamo.fr
 Fax +33 (0)1 34 10 16 05 E-mail info@bamo.fr

Level indicator - ATEX or/ and
 P.E.D.
MAGTOP D

03-12-2018

D-560.03-EN-AD

NIV

560-03/2