

On-line leak detector in double-walled pipes MAXIMAT LW CX SDR



- All-plastic versions
- Integrated transmitter and connection for test button
- No moving parts
- For aggressive and conductive liquids
- NPN / PNP interface

AGREEMENTS

- General building supervisory approval issued by DIBt: Z-65.40-496
- Certification of Product Approval by SVTI ASIT: KVV-Nr. 321.012.19
- Vlare II (Corcon bvba) certificate: CP0914/3073-HCC001

APPLICATION

Leak detector in accordance with the German Water Resources Act (WHG) for double-walled pipings with water-polluting, electrically conductive, non-flammable liquids.

DESCRIPTION

The MAXIMAT LW CX SDR compact leak detectors are designed to detect leaks in double-walled piping with water-polluting liquids.

When an electrically conductive liquid comes into contact with the detection sensor, the integrated electronics respond by interrupting the continuous output signal; This signal can be read out from the system controller as acoustic and optical alarms.

TECHNICAL FEATURES

Detection	Capacitive high-frequency sensor, fail-safe detector
Ambient temperature	-20 ... +60 °C
Operating pressure	Atmospheric; Limits: 0.8 to 1.1 bar
Housing head	PBT, fibre-glass reinforced
Protection	IP65 according to EN 60 529
Fittings	See the table "ordering information"
Power supply	15 ... 27 V DC
Consumption	< 1 W
Materials	Probe: PE or PP Union nut: PVC / PP Seal Reference Electrode: TPR Seals of probe and ball valve: EPDM (Option: FPM)
Outputs	Potential-free Reed contact for low voltage (Normally Closed, it opens when alarm occurs) Rated: Max. 50 V AC/DC, 0.5 A, 10 VA; Convenient for operating with a coupling relay or PLC, signaling device TC4 / TC1 or CST unit. 2-wire alarm output reporting with transmitter MAXIMAT SHR C

Note: Simultaneous use of both outputs is not possible.

Terminals	Screw terminals, cable max. 2.5 mm ²
Additional function	Connection of an external test button (potential-free contact), for a complete diagnostic of the device integrity (connection loops, electronics).

WHG



BAMO INTERNATIONAL

22, Rue de la Voie des Bans · Z.I. de la gare · 95100 ARGENTEUIL
Tel +33 (0)1 30 25 83 20 Web www.bamo.eu
Fax +33 (0)1 34 10 16 05 E-mail export@bamo.fr

On-line leak detector in
double-walled pipes
MAXIMAT LW CX SDR

26-06-2020

D-556.04-EN-AD

LEV

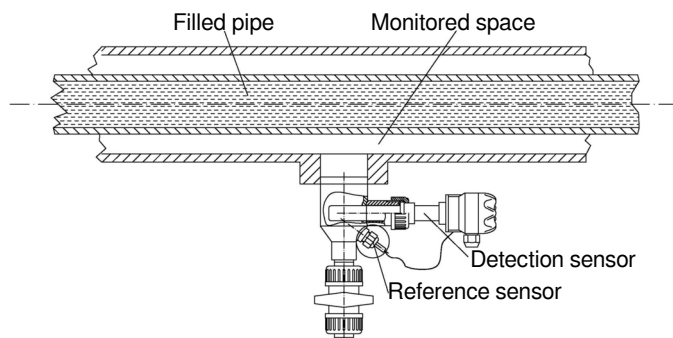
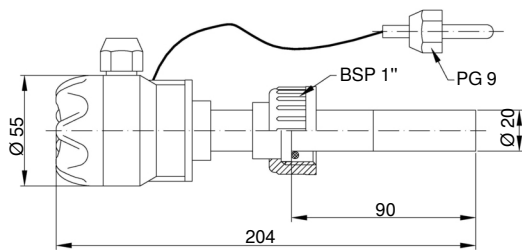
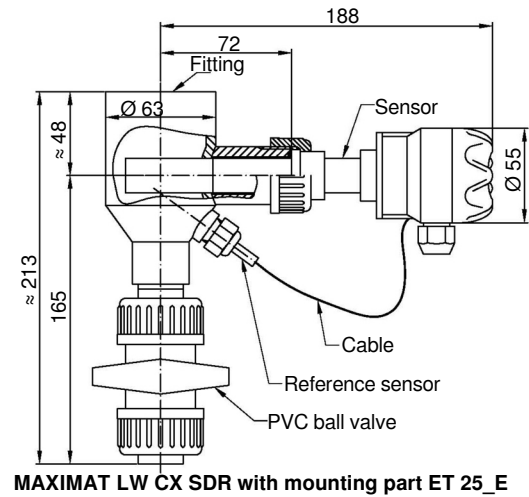
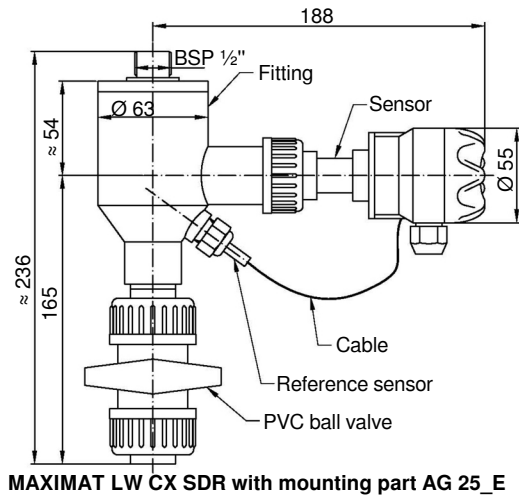
556-04/1

TECHNICAL FEATURES (continued)

Connection options Alarm units: MAXIMAT TC1 / TC4
Coupling relay: CST
Transmitter: MAXIMAT SHR C
Automation with PLC

EC Conformity: The instrument meets the legal requirements of the current European Directives.

DIMENSIONS



CODE NUMBERS AND REFERENCES

Code	Reference	Description
556 810	MAXIMAT LW CX-SDR 4	Detector, PE, sensor \varnothing 20 mm; With PVC union nut BSP 1"; Reference sensor PG 9
556 815	MAXIMAT LW CX-SDR 2	PP leak probe with \varnothing 20mm sensor With PP union nut BSP 1"; Reference electrode Pg9
556 820	ET 251 E	PVC holder, for solvent welding, \varnothing 63 mm; PVC ball valve ND 15
556 830	ET 254 E	HDPE holder, for fusion welding, \varnothing 63 mm; PVC ball valve ND 15
556 840	AG 251 E	PVC holder, fitting BSP 1/2"; PVC ball valve ND 15
556 850	AG 254 E	HD-PE holder, fitting BSP 1/2"; PVC ball valve ND 15

BAMO INTERNATIONAL

22, Rue de la Voie des Bans · Z.I. de la gare · 95100 ARGENTEUIL
Tel +33 (0)1 30 25 83 20 Web www.bamo.eu
Fax +33 (0)1 34 10 16 05 E-mail export@bamo.fr

On-line leak detector in
double-walled pipes
MAXIMAT LW CX SDR

26-06-2020

D-556.04-EN-AD

LEV

556-04/2