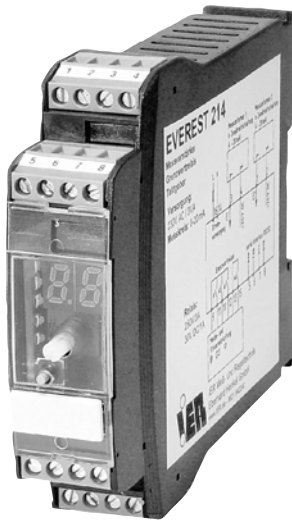


# 2 channels measuring amplifier for 0/4-20 mA sensors EVEREST 214



- 4 Limit value Relays for 1 or/and 2 input signal
- The forth relay may be used as a Timer
- Adjustable hysteresis
- 2 inputs 4-20 mA, scalable from 0 to 25 mA
- Power supply to the sensors

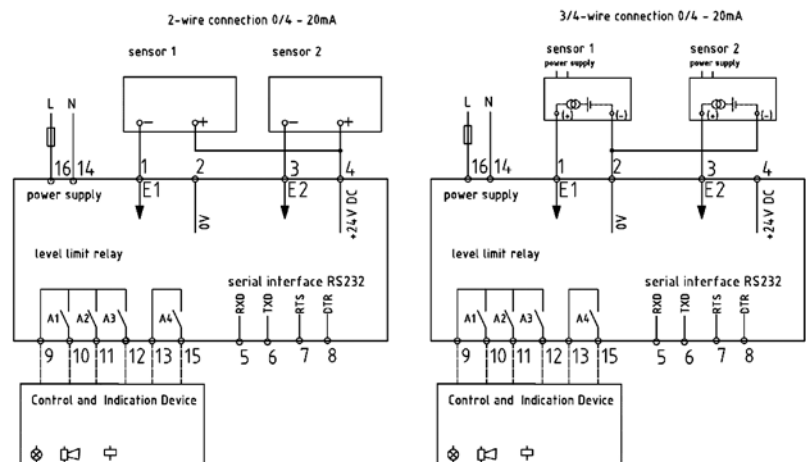
## DESCRIPTION

This measuring amplifier is able to control 4 adjustable thresholds for two 0/4-20 mA sensors (2 or 3/4 wires)

## TECHNICAL FEATURES

Main power:	230 V / 50 Hz, <b>code number 232 115</b> (24 V DC on request)
Power consumption:	Approximately 3 VA
Ambient temperature:	-10...+45°C
Limit relays S1, S2, S3:	Adjustable contacts, NO/NC
TIMER / Limit relay S4:	By DIP switch configuration as adjustable contact, NO/NC or pulse TIMER adjustable from 1 s to 24 h
Switching power:	250 V AC; 2.0 A / 30 V DC; 1.0 A
Sensor supply:	24 V DC, max 50 mA for 2 wires connection
Housing:	Rail DIN mounting 35 x 7.5 mm (DIN EN 50 022), IP40
Dimensions:	22.5 x 100 x 122 mm
Electrical connectors:	Terminals screw connections max. 1.5 mm <sup>2</sup>
Measuring circuit:	2 channels 0/4-20 mA
Accuracy:	0.5 % ± 0.5 Digit
Filter:	Adjustable from 0.1 s to 3 s
Hysteresis:	Adjustable from 0 to 99%
Indicator:	2-digit LED display for signal in % 4 LED relay status 1 LED channel 1 or 2 indication

**CE Mark:** In accordance with low-voltage directive (2006/95/CE), EMC directives (89/336/EEC)



CONFIGURATION

Turn Switch LED off LED on LED blinking   
 Push Button 7-Segment-Display

**Caption**

