

# BESIDE TANK PROBE HOLDER SUPPORT 8306

- For immersion probes 9336, 9337, 9346
- Totally modular
- All stainless steel and aluminium
- Monitor protection shield
- Adjustable on any angle, rotation on 360°
- Translation on both axes
- Easy installation



### DESCRIPTION

This support is designed for pH, ORP or dissolved oxygen sensors mounted on immersion probe holders beside a tank or an open channel.  
(See page 130-01, 135-01 & 451-01)

They allow an easy adaptation with adjustable distances and orientation on 360° angle to clear of:

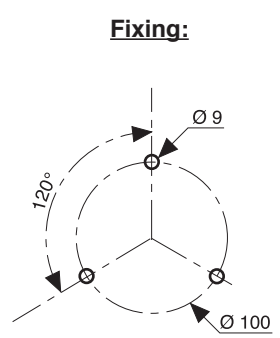
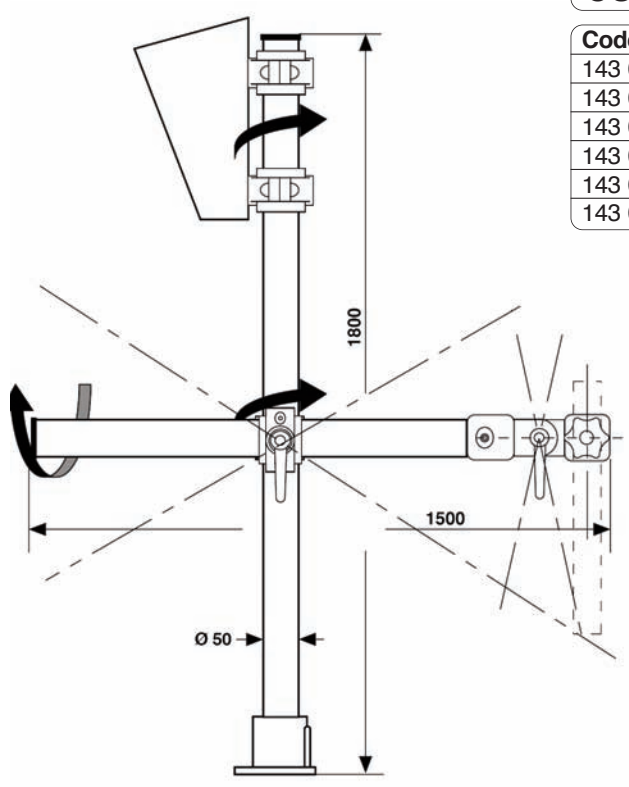
- . barrier
- . post
- . border

Equipped with an open protection shield, the mounted monitor is protected and it is still open to access.

The base and junction devices are made of aluminium; Tubes are made of stainless steel.

### CODE NUMBERS AND REFERENCES

Code	Reference	Designation
143 052	8306P	Base support 8306
143 061	8306AUV1	Simple shield for base support 8306
143 062	8306AUV2	Double shield for base support 8306
143 071	8306BS36	Simple arm holder 9336/37 for base support 8306
143 072	8306BS46	Simple arm holder 9346 for base support 8306
143 073	8306BD36	Double arm holder 9336/37 for base support 8306



Drawing not contractual



22, Rue de la Voie des Bans - Z.I. de la Gare - 95100 ARGENTEUIL  
 Tél : (+33) 01 30 25 83 20 - Web : [www.bamo.fr](http://www.bamo.fr)  
 Fax : (+33) 01 34 10 16 05 - E-mail : [info@bamo.fr](mailto:info@bamo.fr)

**BESIDE TANK  
PROBE HOLDER SUPPORT  
8306**

11-02-2014 143 I1 01 D

**pH**

**143-01/1**