

# Immersion probe pH/ORP 9339

- Protection holder
- Easy calibration routine
- For 1 electrode (fitting PG 13.5)
- Unscrewable protection end
- In AISI 316 L



## APPLICATIONS

- pH and ORP measurements in cisterns, tanks.

## DESCRIPTION

Holder 9339 insures positioning and protection of electrode in basins and tanks; it allows an easy calibration routine with low risks to break the electrode. Standard construction is of AISI 316 L. Fitting on site is done with a fixed flange (AISI 316 L) welded on the extension tube. Flange type, dimensions, distance to electrode end, other fitting type: feasibility must be confirmed by our technical department. Cable passes through a cable gland fitted on a clamp connection, or on a head housing in aluminum alloy.

### Associated electrodes:

Associated electrodes are to be selected through the data-sheets 150 -01 & -03. Only electrodes with fitting PG 13.5 are convenient.

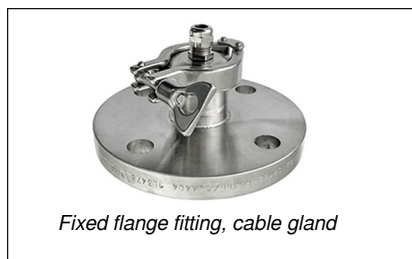
## TECHNICAL FEATURES

Immersion height	1 000 mm <i>Other on request (From 200 up to 3000 mm)</i>
Construction	AISI 316 L
Cable output	1 Cable gland M10, centered on tri-clamp fitting or 1 Cable gland PG 16 for two cables, with aluminum head housing
Fitting	AISI 316 L flange (fixed) <i>(Other fittings on request)</i>
OPTION	<i>Temperature sensor Pt 100 <math>\Omega</math> at 0 °C, 3-wire</i>

**CE conformity: The instrument meets the legal requirements of the current European Directives**

## CODE NUMBERS AND REFERENCES

Code	Reference	Description
131 150	9339-PE	AISI 316 holder, 1 m, cable gland M 10
131 155	9339-T	AISI 316 holder, 1 m, cable gland PG 16 Pt 100 $\Omega$ , aluminum head, cable gland PG 16



# BAMO MESURES

22, Rue de la Voie des Bans · Z.I. de la gare · 95100 ARGENTEUIL  
Tel +33 (0)1 30 25 83 20 Web [www.bamo.fr](http://www.bamo.fr)  
Fax +33 (0)1 34 10 16 05 E-mail [info@bamo.fr](mailto:info@bamo.fr)

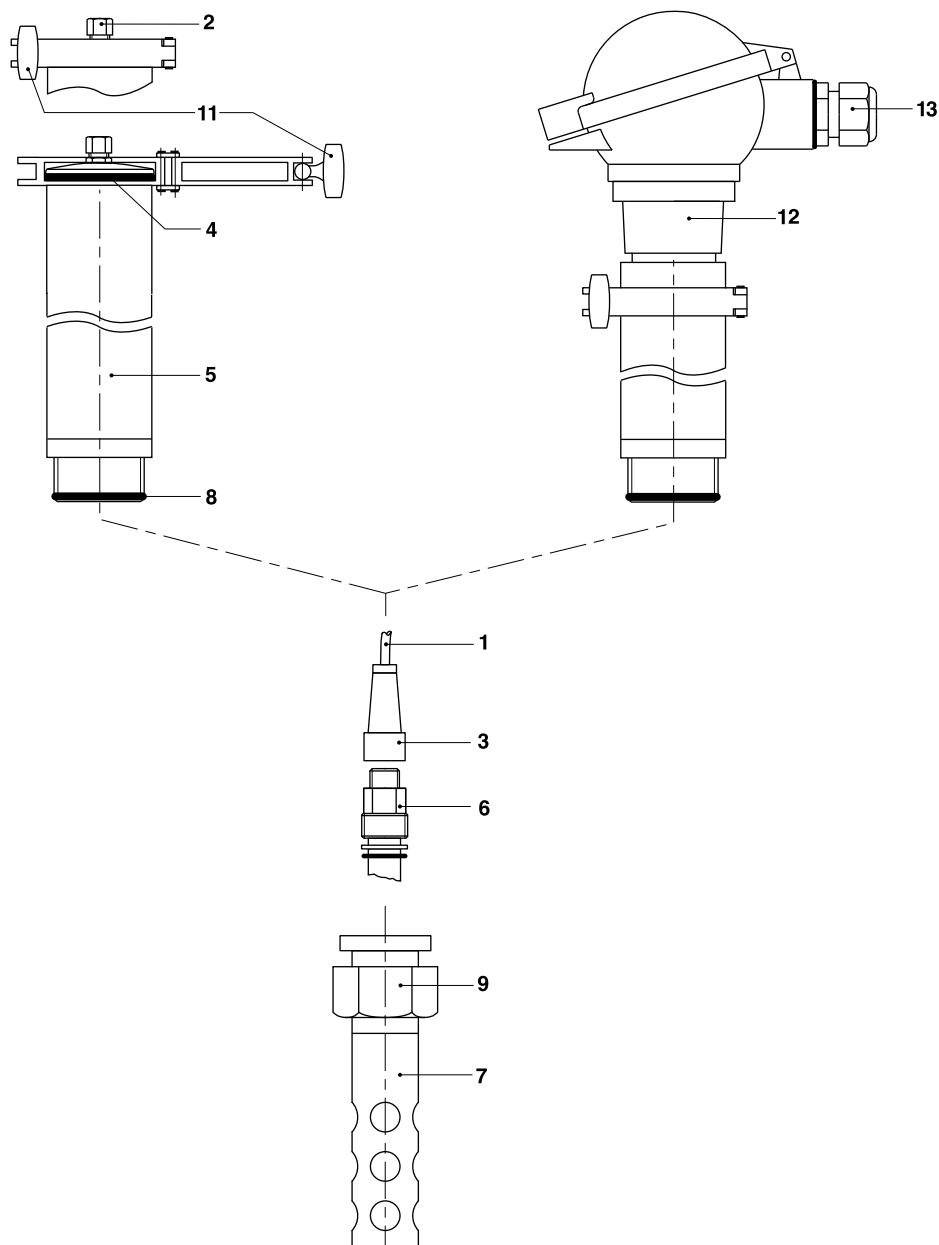
Immersion probe pH/ORP  
**9339**

12-11-2018

D-131.01-EN-AA

pH

131-01 /1



- 1) pH measurement cable 9060
- 2) Cable gland on tri-clamp end
- 3) Connector 9054
- 4) o-ring seal for tri-clamp end cap
- 5) Extension tube, O.D. 42.4 mm
- 6) pH/ ORP electrode
- 7) Electrode holder on unscrewable protection end
- 8) O-ring seal for the electrode holder
- 9) Loose nut
- 10) Electrode holder with fitting option for rocking bucket
- 11) Tri-clamp end cap
- 12) Aluminum head housing
- 13) Cable gland PG 16

# BAMO MESURES

22, Rue de la Voie des Bans · Z.I. de la gare · 95100 ARGENTEUIL

Tel +33 (0)1 30 25 83 20 Web [www.bamo.fr](http://www.bamo.fr)

Fax +33 (0)1 34 10 16 05 E-mail [info@bamo.fr](mailto:info@bamo.fr)

Immersion probe pH/ORP  
**9339**

pH

131-01 /2