

Immersion probe with built-in temperature sensor 9337

- Protective holder
- Built-in temperature sensor Pt100
- Simplified calibration routine
- For 1 electrode (PG 13.5 sealing)
- Adjustable immersion depth
- Fastening by flange or collar
- PVC construction



Pt100 connection terminal

APPLICATIONS

For all pH or ORP and temperature measurements in basins, open channels and tanks

DESCRIPTION

Support 9336 insures adjustable position and protection of electrode in basins, channels and tanks. It allows temperature measurement or automatic compensation with the Pt100 sensor built-in the bottom of probe. The probe is designed to avoid electrode damaged during calibration routine.

Standard construction is of PVC, O.D. 50 mm tube. Fastening collar or adjustable flange, allows the probe to be positioned at the right height.

For the calibration routine, the electrode protection end is removable from the holder. This one is perfectly adapted to our buffer flasks (9011; 9012; 9013; 9015). There is no need to hold the probe during calibration. Flask and probe are tightly assembled and they can stand on the floor. No more spilled buffer neither damaged electrode.

ASSOCIATED ELECTRODES

Associated electrodes for pH and ORP are described on data-sheet 150-01. Only electrodes with sealing PG 13.5 are adapted with our probe holders.

TECHNICAL FEATURES

Immersion depth	200 mm, as a minimum
Temperature sensor	Built-in Pt100 Ohm at 0 °C, 3 wires
Length probe	Standard 1 m (from 500 to 3000 mm on request)
Construction	PVC
Head housing	PBT fiber glass reinforced; IP 65
Cable output	Two PG 9
Fitting	Adjustable flange 9358 or PE collar for tube O.D. 50 mm
Operating temperature	55 °C, as a maximum
Recommended cables	Temperature, 3 wire type, shielded, 0.22 mm ² pH, coaxial cable type 9060

CODE NUMBERS AND REFERENCES

Code	Reference	Description
130 151	9337 PVC	PVC 1 m long probe with Pt100 sensor
130 112	9358 PE	Adjustable PE flange for probes 9336 & 9337
160 300	9060	Coaxial cable, specific for pH
610 010	C3B	Shielded cable, 3-wire 0.22 mm ²

BAMO MESURES

22, Rue de la Voie des Bans · Z.I. de la gare · 95100 ARGENTEUIL

Tel +33 (0)1 30 25 83 20 Web www.bamo.fr

Fax +33 (0)1 34 10 16 05 E-mail info@bamo.fr

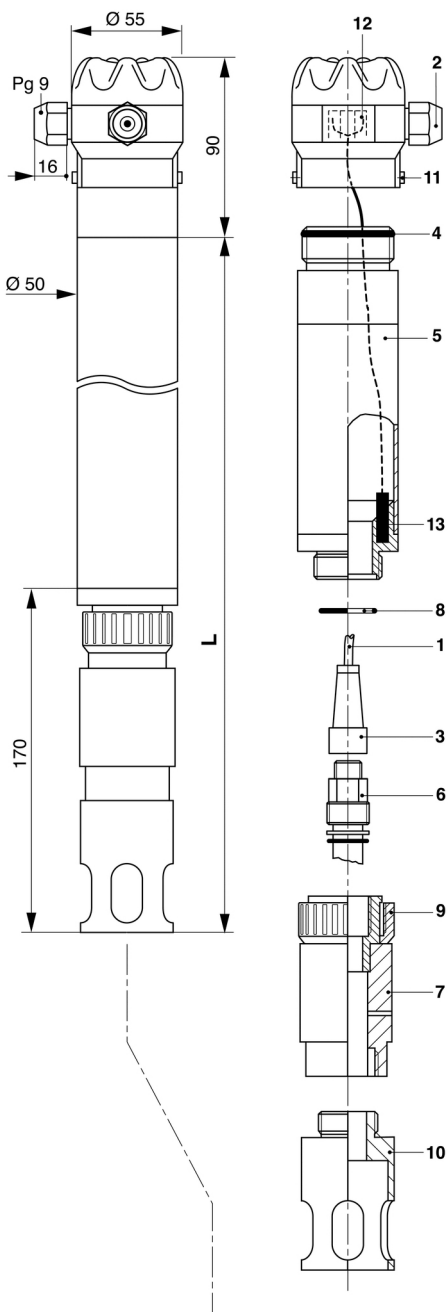
Immersion probe with built-in
temperature sensor
9337

20-11-2018

D-130.02-EN-AB

pH

130-02/1



MOUNTING THE ELECTRODE

- Introduce the temperature cable through a cable gland of head housing (2).
- Connect inside the head the 3 wires on terminal (12), already connected to Pt100 (13).
- Introduce the pH cable 9060 (1) through the cable gland of probe head (2): cable length should be of probe length plus 20 cm.
- Weld on the connector 9054 (3), see also manual msa160 (9054).
- Check the O' ring (4) is on its support and screw on the probe head (2) on extension tube (5).
- Ensure that the connector is going out of bottom of tube.
- Install the electrode (6) on the holder (7).
- Check the O' ring (8) is on its support.
- Screw tightly the connector on the electrode.
- Pull out smoothly the cable in order to have the electrode holder (7) close to the extension tube.
The cable must not be stretched inside the tube.
- Screw the nut (9) keeping the holder in its position.
Prevent the electrode holder to rotate during this operation.
- Screw on by hand the electrode protection (10).
This protective end must be kept easy to dismantle.
- Screw tightly the cable gland on the head.
- Rotate the head in the good position and block it with the two screws (11).

DISASSEMBLING THE ELECTRODE

Proceed as above on reverse steps; take care not to lose the O-ring (8).

CALIBRATING THE MEASURING SYSTEM

You may find detailed information in the instruction manuals of pH monitor.

- Unscrew the electrode protection end (10).
- Clean up the electrode with tap water.
- Adapt the buffer flask on the holder (7).
- Ending the calibration sequences, screw in the electrode protection.

This protection end should kept easy to dismantle, screw it by hand.

Holder outer diameter and electrode length are in correspondence with our buffer flasks; no risk to damage the electrode when performing calibration. The flask grips on holder; the probe can stand on the floor

BAMO MESURES

22, Rue de la Voie des Bans · Z.I. de la gare · 95100 ARGENTEUIL

Tel +33 (0)1 30 25 83 20 Web www.bamo.fr

Fax +33 (0)1 34 10 16 05 E-mail info@bamo.fr

Immersion probe with built-in
temperature sensor

9337

20-11-2018

D-130.02-EN-AB

pH

130-02/2