

SDD 911

Pressure relief valves



INSTRUCTIONS MANUAL

BAMO MESURES

22, Rue de la Voie des Bans - Z.I. de la Gare - 95100 ARGENTEUIL

Tél : (+33) 01 30 25 83 20 - Web : www.bamo.fr

Fax : (+33) 01 34 10 16 05 - E-mail : info@bamo.fr

Pressure relief valves
SDD 911

25-08-2015

911 M1 03 C

PLAS

911-03/1

1. MANUFACTURER DECLARATION

BAMO Mesures SAS, declares that the pressure relief valves, SDD 911, due to their non ability to be used with dangerous fluids because of their Nominal Diameters and Pressure Class, are not concerned by the Directive **EC 97/23 CE** relative to pressure apparatus.

2. APPLICATION

A pressure relief valve SDD 911 limits the static pressure to a constant and maximal settled value by opening the outlet (to the discharge line) when the pressure is overriding.

An EPDM diaphragm, PTFE coated, separates the mechanical parts body and the channel. All wetted parts are in plastics. Without any metallic parts exposed to the atmosphere it allows a location in corroding vapours.

The seat seal and o-ring seals are in EPDM or FPM according to the model and connections.

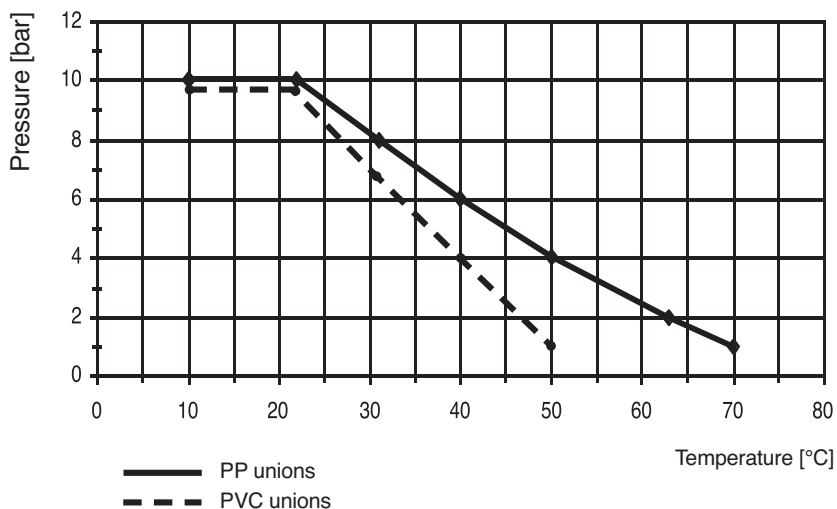
The SDD 911 valves may be used as pressure relief valves on volumetric pumping system and to protect all pipe red of pressure overrides.

These equipment protection devices may be fitted in any position, in line, or on by-pass according to the application.

3. TECHNICAL FEATURES

Body:	PPH (Glass fibre reinforced Polypropylene)
Diaphragm:	EPDM, PTFE coated
Seat seal and O-rings:	EPDM or FPM
Pressure:	Class PN 10 (at 20°C) ; [bar]
Dimensions:	ND 15 to ND 25
Hysteresis:	Approx. 0.3 bar
Connections:	DIN 8068 threaded PVC union to glue on site PPH union to weld on site
Temperature limits	PPH: +10 to +70°C PVC: +10 to +50°C

Operating conditions: pressure vs. temperature



4. MOUNTING

- Connect the valve to a pipe free from any mechanical stress and, when it is possible, with dismantable connections.
- Respect the flow direction shown by the arrow on the body.
- Fit the valve as close as possible to the pump. e).
Fitting a pressure relief valve at the pipe line end may cause vibrations in the line.
- Install a filter to reduce deposits when the fluid contains particles.
- Mount the valve in any position.
- These valves can be fixed on a support through the threads below the body.

5. ADJUSTMENT

To adjust the settled value of the pressure relief, take of the protective cap, unscrew the lock nut, and proceed as following:

- Screw on the adjustment knob to increase the pressure relief value.
- Unscrew the adjustment knob to decrease the pressure relief value.

Use a pressure gauge fitted on the line to adjust the pressure relief value.

The diaphragm or the piston will be damage by an excessive tightening of the adjustment knob.

6. CHEMICAL COMPATIBILITY

First of all, verify the chemical compatibility of the valve materials (body, seat seal and o-rings, connections) with the fluid in use.

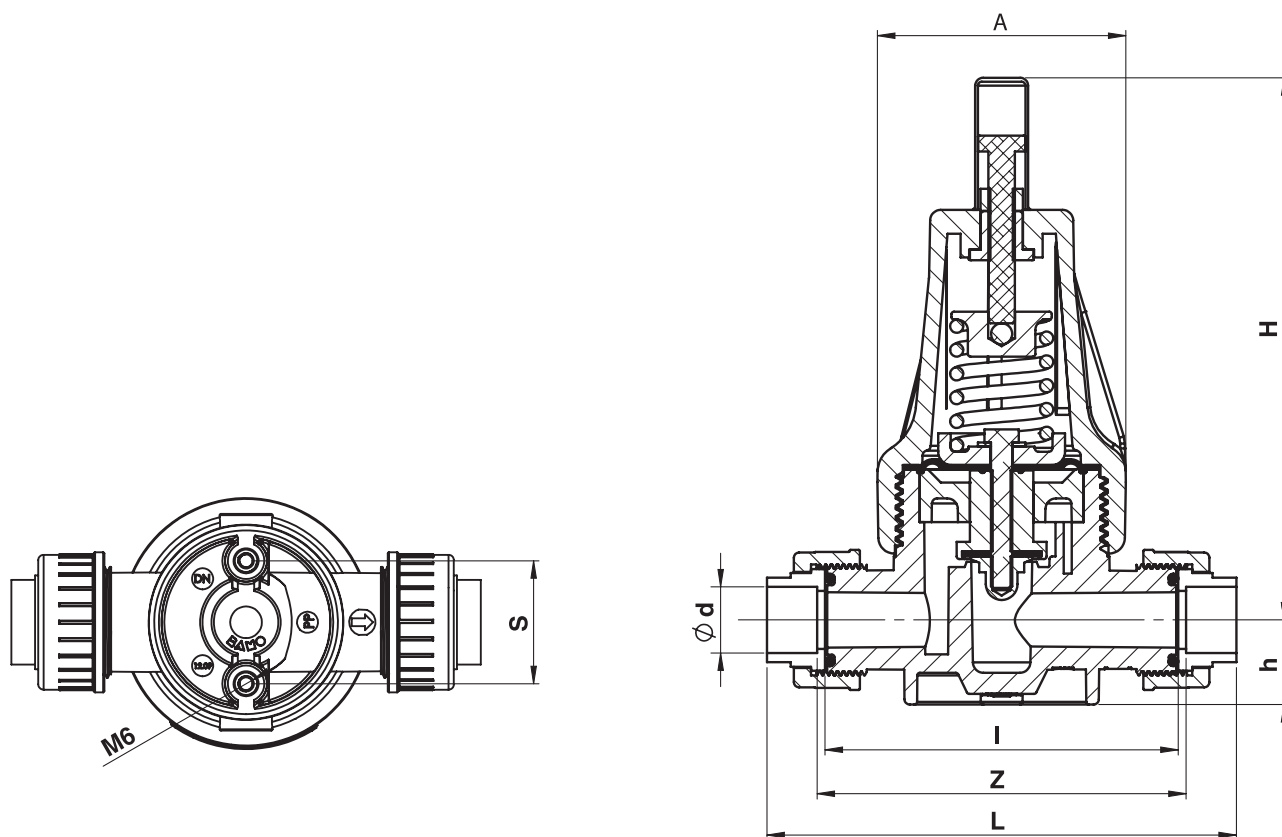
7. CODE NUMBERS AND REFERENCES

SDD 911 with PVC unions to be glued on site		
ND	Sealing EPDM	Sealing FPM
ND 15	911 002	911 012
ND 20	911 003	911 013
ND 25	911 004	911 014

SDD 911 with PPH unions to be welded on site		
ND	Sealing EPDM	Sealing FPM
ND 15	911 102	911 112
ND 20	911 103	911 113
ND 25	911 104	911 114

Any other material or model: please contact us

8. DIMENSIONS



ND	d [mm]	A [mm]	H [mm]	h [mm]	I [mm]	S [mm]	Z [mm]		L [mm]		Mass [Kg]
							PVC	PPH	PVC	PPH	
ND 15	20	80	186	24	112	40	118	118	152	151	0,53
ND 20	25	94	210	32	132	46.5	138	138	176	175	0,93
ND 25	32	94	210	32	132	46.5	138	138	182	179	0,96

9. FLOW RATE LIMITS

ND	Flow rate [L/h] *	Kv [L/h] **
ND 15	2000	2380
ND 20	3500	6160
ND 25	5500	7870

* Measured maxima according to a fluid speed of 3 m/s approx.
The speed of 3 m/s may be considered as a maximum.
Above 3 m/s the plastic devices will be damaged.

** For water at 20°C