

# VPP - INOX

## Pneumatic actuated butterfly valves



## INSTRUCTIONS MANUAL

**BAMO MESURES**

22, Rue de la Voie des Bans - Z.I. de la Gare - 95100 ARGENTEUIL

Tél : (+33) 01 30 25 83 20 - Web : [www.bamo.fr](http://www.bamo.fr)

Fax : (+33) 01 34 10 16 05 - E-mail : [info@bamo.fr](mailto:info@bamo.fr)

Pneumatic actuated  
butterfly valves

**VPP - INOX**

12-07-2012

1013 M1 03 A

**METAL**

**1013-03/1**

## DESCRIPTION

Pneumatic actuators are designed for controlling quarter turn valves. For any other purpose, please report to us before start up; we may not be responsible of troubles due to other applications.

### 1. Fitting on the pipe line

#### 1.1. Precautions

Before fitting the valve, it is necessary to verify the chemical compatibility between all the elements (fluid vs. body, seals, seating joints).

#### 1.2. Assembly

Respect common precautions for the assembly of all elements together.

The valve must be connected between flanges (standard compatibility: DIN 2501 – ANSI B 16.5 – JIS 10k – BS table D&E)

### 2. Pneumatic actuators connection

#### 2.1. Precautions

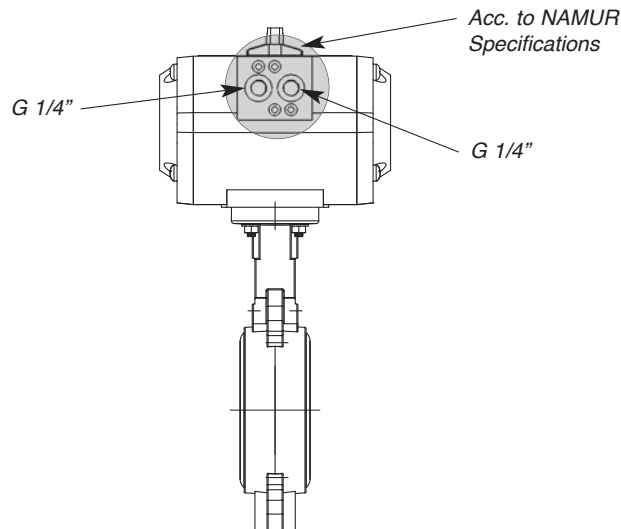
Fitting, connections, initial start-up and maintenance operations must be done by trained technicians.  
All European and local rules for pneumatic devices and systems must be respected.

#### 2.2. Connecting the actuator

A pilot valve certified for our actuators would be preferable to any other devices:

- Pilot valve: 3/2-way solenoid valve (single effect)
- Pilot valve: 5/2-way solenoid valve (double effect)

Compressed air supply through G 1/4" connection: acc. NAMUR specifications.  
Maximal pressure is 6 bar.



### 3. Assistance with manual operating

- Exhaust the compressed air before to intent a manual operating
- Turn on the spindle with an appropriate tool.

