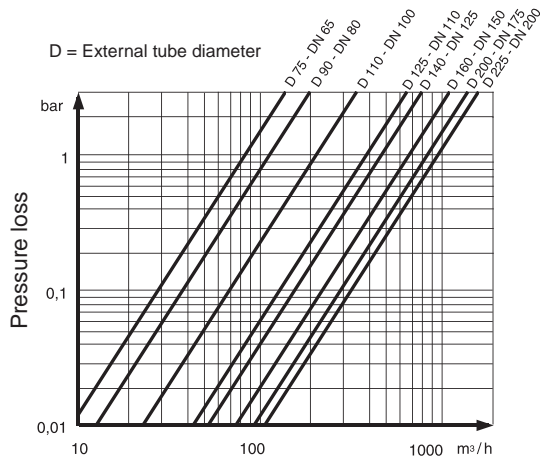


# PVC WAFER CHECK VALVE

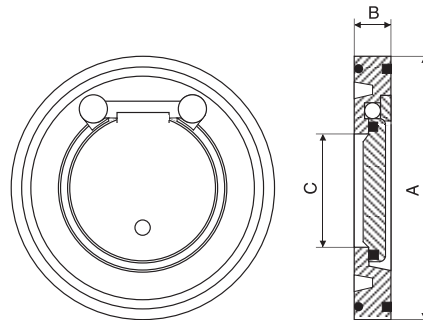


- One-way fluids circulation
- Housing and checker : **PVC**  
**PPH** (on request)
- Seals : **EPDM**  
**FPM** (on request)



## ARTICLES NUMBER & DIMENSIONS

DESIGNATION	PVC	DN	A	B	C
RSK 500-P65	950 075	65	129	20	40
RSK 500-P80	950 090	80	144	20	52
RSK 500-P100	950 110	100	164	22	70
RSK 500-P110	950 140	110	170	23	83
RSK 500 P125	950 125	125	195	24	92
RSK 500 P-150	950 160	150	220	26	112
RSK 500 P-175	950 200	175	247	28	139
RSK 500 P-200	950 225	200	275	34	150
DESIGNATION	PPH	DN	A	B	C
RSK 500-H65	P41 086	65	129	20	40
RSK 500-H80	P41 087	80	144	20	52
RSK 500-H100	P41 088	100	164	22	70
RSK 500 H125	P41 089	125	195	24	92
RSK 500 H-150	P41 090	150	220	26	112
RSK 500 H-200	P41 091	200	275	34	150



# BAMO MESURES

13, rue Pasteur - 95 100 ARGENTEUIL - FRANCE  
 Tél : (+33) 01 30 25 83 20 - E-mail : info@bamo.fr  
 Fax : (+33) 01 34 10 16 05 - Site : http://www.bamo.fr

16/01/2003

**PVC  
WAFER CHECK VALVE**

950 11 096

**PLAS**

**950/1**

**950**