

Electrically actuated 3-way ball valves VE3V S4-PVDF



- ND 10 to ND 50
- In-line pattern
- Electric actuator, Position index
- Manual operating for immediate action

APPLICATIONS

Electrically actuated 3-way ball valves are useful for redirecting or to stop the flow of fluids in plants. These models in plastics are designed for aggressive liquids. Assistance with manual operating for maintenance or emergency operations (*actuator power supply is switched off before a manual operating*).

TECHNICAL FEATURES

Valve materials

Body:	PVDF
Seals:	FPM
Ball:	PVDF
Ball seating joints:	PTFE

Process connections:	Unions (<i>solvent sockets</i>)
Pressure:	10 bar as a maximum up to 20°C, see the diagram P vs. T

90° electric actuator

Operation:	10 s approx. for rotating 90°
Emergency operation:	Manual operating
Duty rating:	30%
Protection:	IP65
Wiring:	1 cable gland ISO M20 DIN 43650 plug; 3 wire + earth
Power:	15 W (ND10 to ND50)
Main power input:	90...240 V AC 50/60 Hz and 90...350 V DC 24 V AC 50/60 Hz and 24 V DC

OPTIONS *Upon request*

CODE NUMBERS AND REFERENCES

d	ND	24 V AC and 24 V DC		90...240 V AC and 90...350 V DC	
		L shape	T shape	L shape	T shape
16	10	914 621	914 635	914 628	914 642
20	15	914 622	914 636	914 629	914 643
25	20	914 623	914 637	914 630	914 644
32	25	914 624	914 638	914 631	914 645
40	32	914 625	914 639	914 632	914 646
50	40	914 626	914 640	914 633	914 647
63	50	914 627	914 641	914 634	914 648

BAMO MESURES

22, Rue de la Voie des Bans - Z.I. de la Gare - 95100 ARGENTEUIL

Tél : (+33) 01 30 25 83 20 - Web : www.bamo.fr

Fax : (+33) 01 34 10 16 05 - E-mail : info@bamo.fr

Electrically actuated
3-way ball valves
VE3V S4-PVDF

19-10-2012

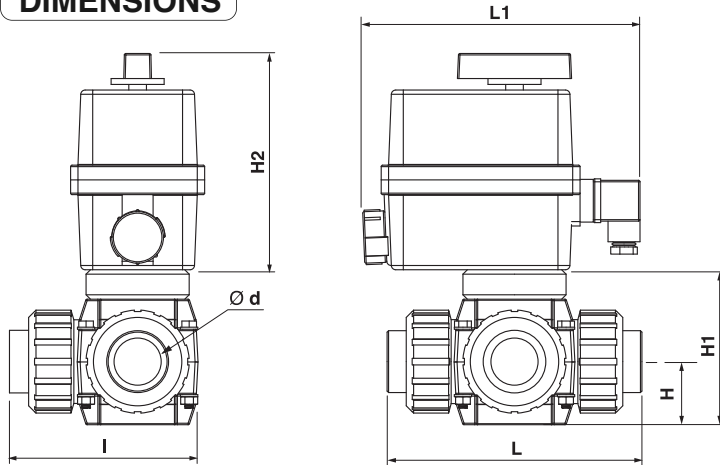
914 I1 08 C

PLAS

914-08/1

914

DIMENSIONS



ND	10	15	20	25	32	40	50
d	16	20	25	32	40	50	63
H	33	33	40	43	51	56	64
H1	86	86	100	106	130	155	168
H2	148	148	148	148	148	148	148
L	138	138	163	169	222	231	264
L1	190	190	190	190	190	190	190
I	95	95	116	119	161	166	192

OPERATING FEATURES

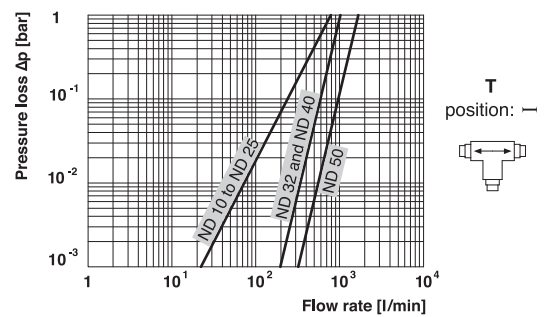
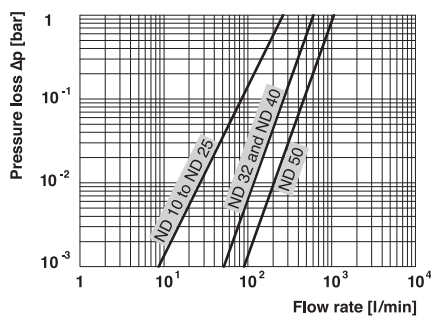
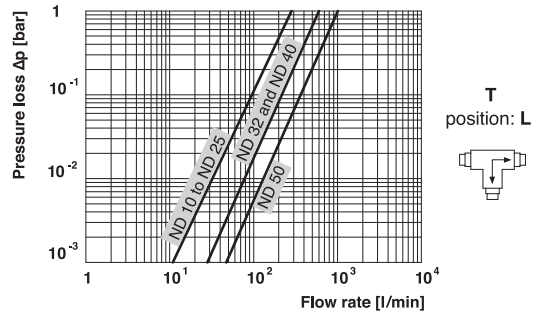
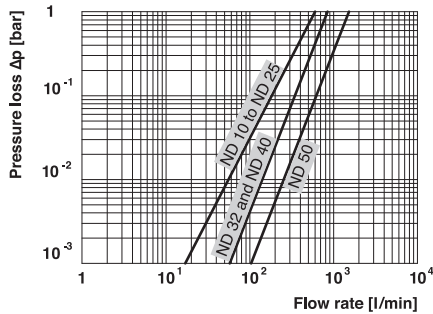
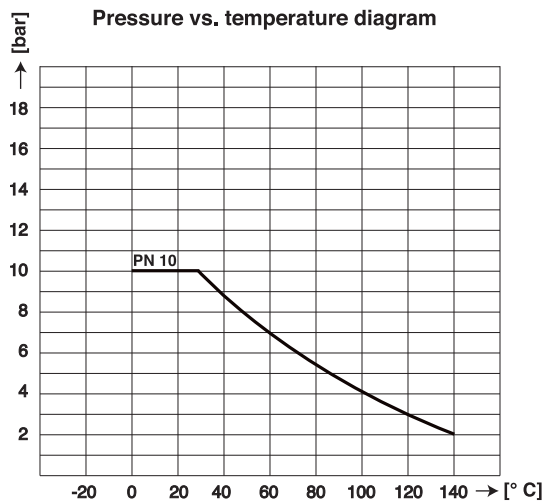


Diagram pressure loss vs flow rate
[water at 20°C]



Pressure vs. temperature diagram



BAMO MESURES

22, Rue de la Voie des Bans - Z.I. de la Gare - 95100 ARGENTEUIL

Tél : (+33) 01 30 25 83 20 - Web : www.bamo.fr

Fax : (+33) 01 34 10 16 05 - E-mail : info@bamo.fr

Electrically actuated
3-way ball valves

VE3V S4-PVDF

19-10-2012

914 I1 08 C

PLAS

914-08/2