

Electrically actuated 2-way ball valves VE2V S4-PPH



- ND 10 to ND 100
- In-line pattern
- Electric actuator, Position index
- Manual operating for immediate action

APPLICATIONS

Electrically actuated 2-way ball valves are useful to stop the flow of fluids in part of a plant. Opened they do not induce pressure drop. Closing time is about 10 seconds.

These models in plastics are designed for aggressive liquids.

Assistance with manual operating for maintenance or emergency operations (*actuator power supply is switched off before a manual operating*).

TECHNICAL FEATURES

Valve materials

Body: PPH
 Seals: EPDM or FPM
 Ball: PPH
 Ball seating joints: PTFE

Process connections: Unions (solvent sockets)
 Pressure: 10 bar as a maximum up to 20°C,
 see the diagram P vs. T

90° electric actuator

Operation: 10 s approx. for rotating 90°
 Emergency operation: Manual operating
 Duty rating: 30%
 Protection: IP65
 Wiring: 1 cable gland ISO M20
 DIN 43650 plug; 3 wire + earth
 Power: 15 W (ND 10 to ND 50)
 45 W (ND 65 to ND 80)
 Main power input: 90...240 V AC 50/60 Hz and 90...350 V DC
 24 V AC 50/60 Hz and 24 V DC

OPTIONS *Upon request*

CODE NUMBERS AND REFERENCES

d	ND	24 V AC and 24 V DC		90...240 V AC and 90...350 VDC	
		EPDM seals	FPM seals	EPDM seals	FPM seals
16	10	914 301	914 311	914 321	914 331
20	15	914 302	914 312	914 322	914 332
25	20	914 303	914 313	914 323	914 333
32	25	914 304	914 314	914 324	914 334
40	32	914 305	914 315	914 325	914 335
50	40	914 306	914 316	914 326	914 336
63	50	914 307	914 317	914 327	914 337
75	65	914 308	914 318	914 328	914 338
90	80	914 309	914 319	914 329	914 339
110	100	914 310	914 320	914 330	914 340

BAMO MESURES

22, Rue de la Voie des Bans - Z.I. de la Gare - 95100 ARGENTEUIL

Tél : (+33) 01 30 25 83 20 - Web : www.bamo.fr

Fax : (+33) 01 34 10 16 05 - E-mail : info@bamo.fr

Electrically actuated
2-way ball valves

VE2V S4-PPH

19-03-2012

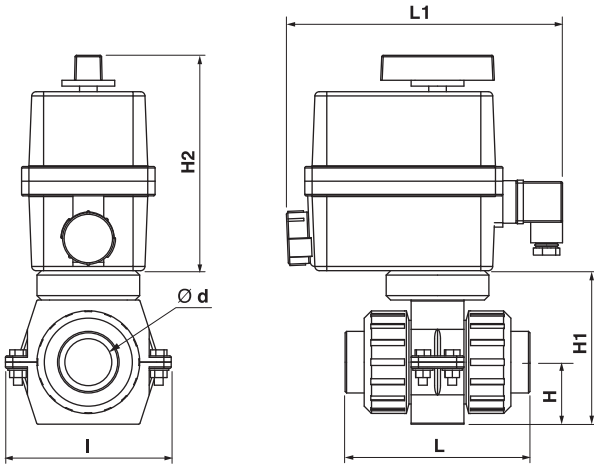
914 I1 04 B

PLAS

914-04/1

914

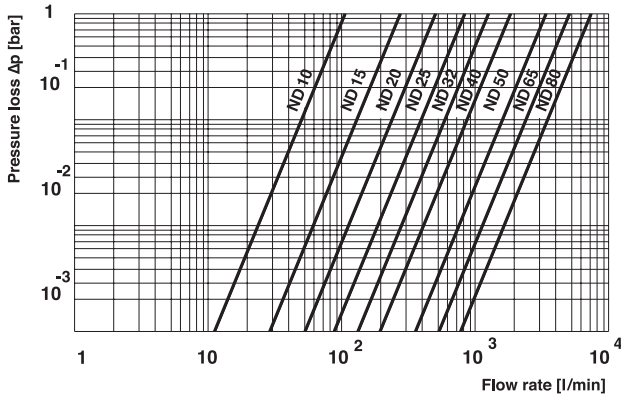
DIMENSIONS



ND	d	H	H1	H2	L	L1	I	Kg
10	16	33	86	148	100	190	113	1,57
15	20	33	86	148	100	190	113	1,57
20	25	40	100	148	115	190	113	1,58
25	32	43	106	148	126	190	113	1,75
32	40	51	130	148	143	190	144	1,70
40	50	56	155	148	167	190	144	2,21
50	63	64	168	148	198	190	144	3,04
65	75	85	230	180	238	206	204	6,79
80	90	100	260	180	294	206	204	9,01
100	110	100	260	180	304	206	204	9,01

OPERATING FEATURES

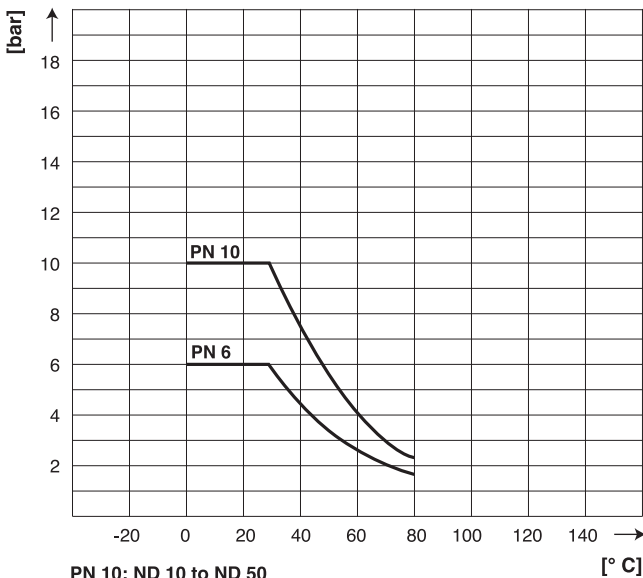
Pressure loss vs. Flow diagram [water at 20°C]



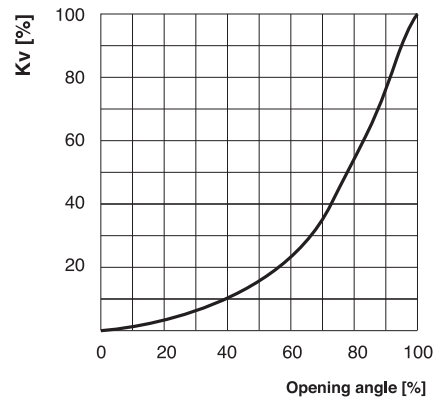
Kv value table

	Pressure loss	
	1 bar	0.001 bar
ND 10	107 l/min	3.4 l/min
ND 15	278 l/min	8.8 l/min
ND 20	509 l/min	16.1 l/min
ND 25	843 l/min	26.7 l/min
ND 32	1269 l/min	40.1 l/min
ND 40	1858 l/min	58.7 l/min
ND 50	3424 l/min	110 l/min
ND 65	5133 l/min	165 l/min
ND 80	7455 l/min	240 l/min

Pressure vs. temperature diagram



Flow characteristic



BAMO MESURES

22, Rue de la Voie des Bans - Z.I. de la Gare - 95100 ARGENTEUIL
Tél : (+33) 01 30 25 83 20 - Web : www.bamo.fr
Fax : (+33) 01 34 10 16 05 - E-mail : info@bamo.fr

Electrically actuated
2-way ball valves
VE2V S4-PPH

19-03-2012

914 I1 04 B

PLAS

914-04/2