

Electrically actuated 2-way ball valves VE2V S4-PVC



- ND 10 to ND 100
- In-line pattern
- Electric actuator, Position index
- Manual operating for immediate action

APPLICATIONS

Electrically actuated 2-way ball valves are useful to stop the flow of fluids in part of a plant. Opened they do not induce pressure drop. Closing time is about 10 seconds.

These models in plastics are designed for aggressive liquids.

Assistance with manual operating for maintenance or emergency operations (*actuator power supply is switched off before a manual operating*).

TECHNICAL FEATURES

Valve materials

Body: PVC
 Seals: EPDM or FPM
 Ball: PVC
 Ball seating joints: PTFE

Process connections: Unions (*solvent sockets*)
 Pressure: 10 bar as a maximum up to 20°C, see the diagram P vs. T

90° electric actuator

Operation: 10 s approx. for rotating 90°
 Emergency operation: Manual operating
 Duty rating: 30%
 Protection: IP65
 Wiring: 1 cable gland ISO M20
 DIN 43650 plug; 3 wire + earth
 Power: 15 W (ND10 to ND 50)
 45 W (ND 65 to ND 80)
 Main power input: 90...240 V AC 50/60 Hz and 90...350 V DC
 24 V AC 50/60 Hz and 24 V DC

OPTIONS *Upon request*

CODE NUMBERS AND REFERENCES

d	ND	24 V AC and 24 V DC		90...240 V AC and 90...350 VDC	
		EPDM seals	FPM seals	EPDM seals	FPM seals
16	10	914 001	914 011	914 021	914 031
20	15	914 002	914 012	914 022	914 032
25	20	914 003	914 013	914 023	914 033
32	25	914 004	914 014	914 024	914 034
40	32	914 005	914 015	914 025	914 035
50	40	914 006	914 016	914 026	914 036
63	50	914 007	914 017	914 027	914 037
75	65	914 008	914 018	914 028	914 038
90	80	914 009	914 019	914 029	914 039
110	100	914 010	914 020	914 030	914 040

BAMO MESURES

22, Rue de la Voie des Bans - Z.I. de la Gare - 95100 ARGENTEUIL

Tél : (+33) 01 30 25 83 20 - Web : www.bamo.fr

Fax : (+33) 01 34 10 16 05 - E-mail : info@bamo.fr

Electrically actuated
2-way ball valves
VE2V S4-PVC

19-03-2012

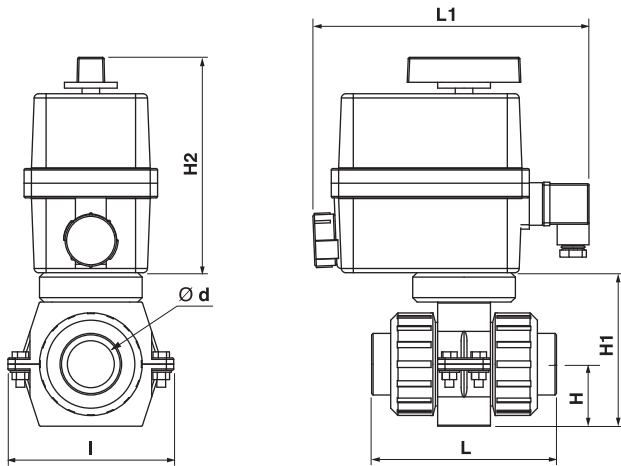
914 I1 01 C

PLAS

914-01/1

914

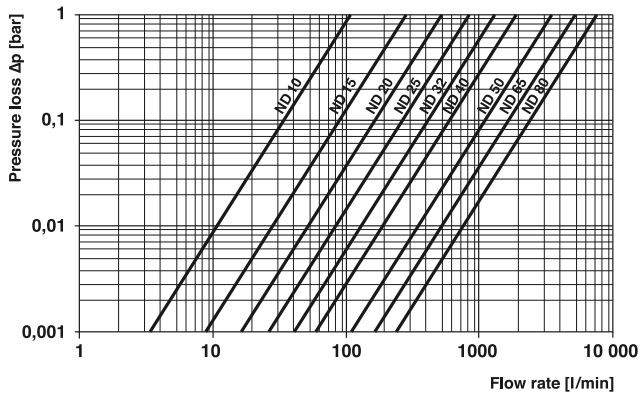
DIMENSIONS



ND	d	H	H1	H2	L	L1	I	Kg
10	16	33	86	148	100	190	113	1.57
15	20	33	86	148	100	190	113	1.57
20	25	40	100	148	115	190	113	1.58
25	32	43	106	148	126	190	113	1.75
32	40	51	130	148	143	190	144	1.7
40	50	56	155	148	167	190	144	2.21
50	63	64	168	148	198	190	144	3.04
65	75	85	230	180	238	206	204	6.79
80	90	100	260	180	294	206	204	9.01
100	110	100	260	180	304	206	204	9.01

OPERATING FEATURES

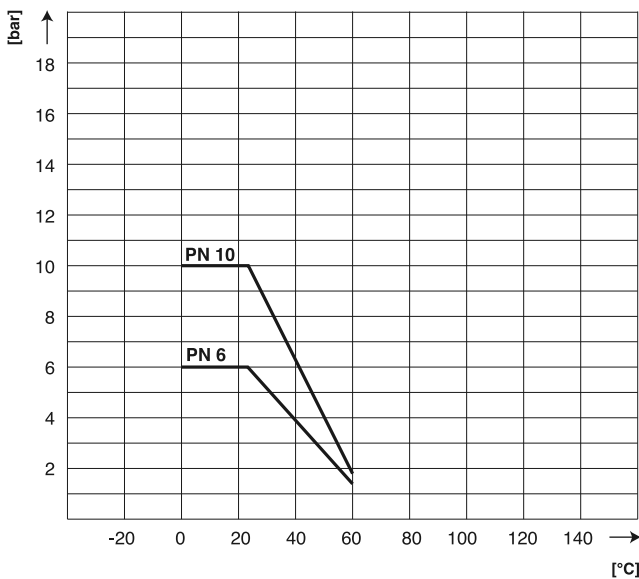
Pressure loss vs. Flow diagram [water at 20°C]



Kv value table

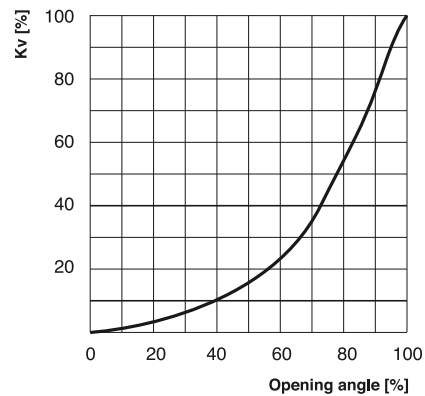
	Pressure loss	
	1 bar	0.001 bar
ND 10	107 l/min	3.4 l/min
ND 15	278 l/min	8.8 l/min
ND 20	509 l/min	16.1 l/min
ND 25	843 l/min	26.7 l/min
ND 32	1269 l/min	40.1 l/min
ND 40	1858 l/min	58.7 l/min
ND 50	3424 l/min	110 l/min
ND 65	5133 l/min	165 l/min
ND 80	7455 l/min	240 l/min

Pressure vs. temperature diagram



PN 10: ND 10 to ND 50
PN 6: ND 65 to ND 100

Flow characteristic



Electrically actuated
2-way ball valves
VE2V S4-PVC

19-03-2012

914 I1 01 C

PLAS

914-01/2

BAMO MESURES

22, Rue de la Voie des Bans - Z.I. de la Gare - 95100 ARGENTEUIL

Tél : (+33) 01 30 25 83 20 - Web : www.bamo.fr

Fax : (+33) 01 34 10 16 05 - E-mail : info@bamo.fr