

Pneumatically actuated 2-way ball valves, single / double acting VP2V S4-PVC



- ND 10 to ND 100
- In-line pattern
- Pneumatic actuator
 - Single or double acting, Position index
- Status NC or NO
- Standard compatibility:
 - NAMUR VDI/VDE 3845 and ISO 5211

OPTIONS:

- Limit switch box
- Pilot valve

APPLICATIONS

Pneumatically actuated 2-way ball valves are designed to allow / stop the flow of liquids, even chemically aggressive. The options permit automatic operations.

TECHNICAL FEATURES

Valve materials	Body: PVC Seals: EPDM or FPM Ball: PVC Ball seating joints: PTFE
Process connections:	Unions (solvent sockets)
Pressure:	5 bar (ND 80...100), 6 bar (ND 65), 10 bar (ND 10...50), as maxima
Pneumatic actuator	Single (NO or NC) or double acting
Control pressure:	6 bar as a minimum, 8 bar as a maximum
	Connections: 1/4" G

OPTIONS	- Limit switch box - Pilot valve: 3/2-way solenoid valve (single effect) - Pilot valve: 5/2-way solenoid valve (double effect)
----------------	--

CODE NUMBERS AND REFERENCES

d	ND	Single effect / NC		Single effect / NO		Double effect	
		EPDM seals	FPM seals	EPDM seals	FPM seals	EPDM seals	FPM seals
16	10	913 001	913 011	913 021	913 031	913 041	913 051
20	15	913 002	913 012	913 022	913 032	913 042	913 052
25	20	913 003	913 013	913 023	913 033	913 043	913 053
32	25	913 004	913 014	913 024	913 034	913 044	913 054
40	32	913 005	913 015	913 025	913 035	913 045	913 055
50	40	913 006	913 016	913 026	913 036	913 046	913 056
63	50	913 007	913 017	913 027	913 037	913 047	913 057
75	65	913 008	913 018	913 028	913 038	913 048	913 058
90	80	913 009	913 019	913 029	913 039	913 049	913 059
110	100	913 010	913 020	913 030	913 040	913 050	913 060

BAMO MESURES

22, Rue de la Voie des Bans - Z.I. de la Gare - 95100 ARGENTEUIL
Tél : (+33) 01 30 25 83 20 - Web : www.bamo.fr
Fax : (+33) 01 34 10 16 05 - E-mail : info@bamo.fr

Pneumatically actuated
2-way ball valves
VP2V S4-PVC

14-03-2014

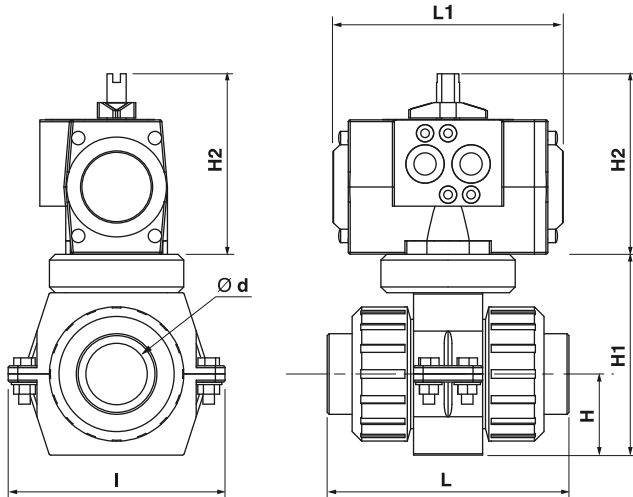
903 I1 01 E

PLAS

913-01/1

913

DIMENSIONS



Double effect

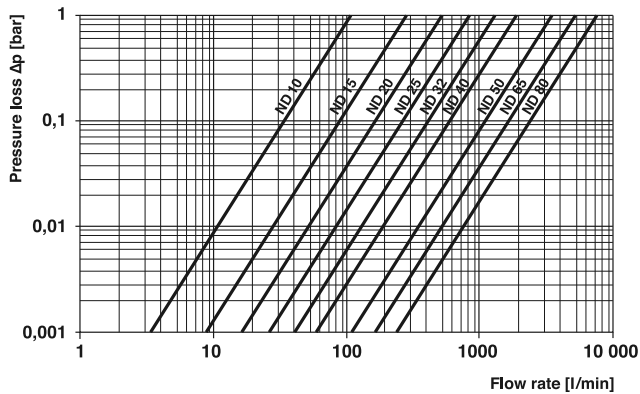
ND	d	H	H1	H2	L	L1	I
10	16	33	86	91	100	119	113
15	20	33	86	91	100	119	113
20	25	40	100	91	115	119	113
25	32	43	106	91	126	119	113
32	40	51	130	91	143	119	144
40	50	56	155	112	167	160	144
50	63	64	168	112	198	160	144
65	75	85	230	112	238	160	204
80	90	100	260	132	294	175	204
100	110	100	260	132	304	175	204

Single effect

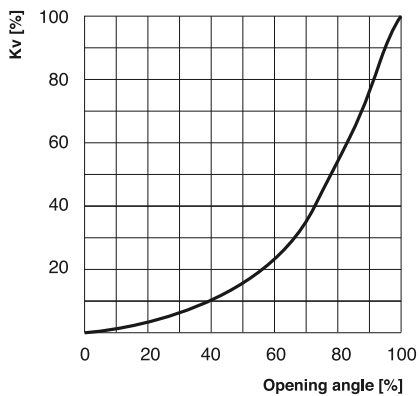
ND	d	H	H1	H2	L	L1	I
10	16	33	86	91	100	119	113
15	20	33	86	91	100	119	113
20	25	40	100	91	115	119	113
25	32	43	106	112	126	160	113
32	40	51	130	112	143	160	144
40	50	56	155	112	167	160	144
50	63	64	168	132.5	198	175	144
65	75	85	230	132.5	238	175	204
80	90	100	260	112	294	239	204
100	110	100	260	112	304	239	204

OPERATING FEATURES

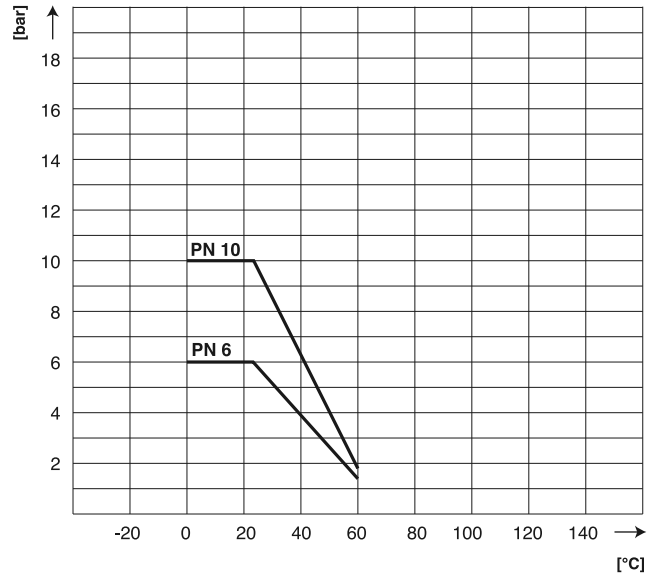
Pressure loss vs. Flow diagram [water at 20°C]



Flow characteristic



Pressure vs. temperature diagram



PN 10: ND 10 to ND 50
PN 6: ND 65 to ND 100

Kv value table

	Pressure loss	
	1 bar	0.001 bar
ND 10	107 l/min	3.4 l/min
ND 15	278 l/min	8.8 l/min
ND 20	509 l/min	16.1 l/min
ND 25	843 l/min	26.7 l/min
ND 32	1269 l/min	40.1 l/min
ND 40	1858 l/min	58.7 l/min
ND 50	3424 l/min	110 l/min
ND 65	5133 l/min	165 l/min
ND 80	7455 l/min	240 l/min

Pneumatically actuated
2-way ball valves
VP2V S4-PVC

PLAS

913-01/1

BAMO MESURES

22, Rue de la Voie des Bans - Z.I. de la Gare - 95100 ARGENTEUIL
Tél : (+33) 01 30 25 83 20 - Web : www.bamo.fr
Fax : (+33) 01 34 10 16 05 - E-mail : info@bamo.fr

14-03-2014

903 I1 01 E