

PRESSURE RELIEF VALVES

SDD 912



- All wetted parts in plastic
- Protection of pumps and process lines
- Affordable cost
- Small dimensions
- Adjustable from 1 to 10 bar
- Nominal diameters from ND 32 to ND 50

APPLICATION AND FITTING

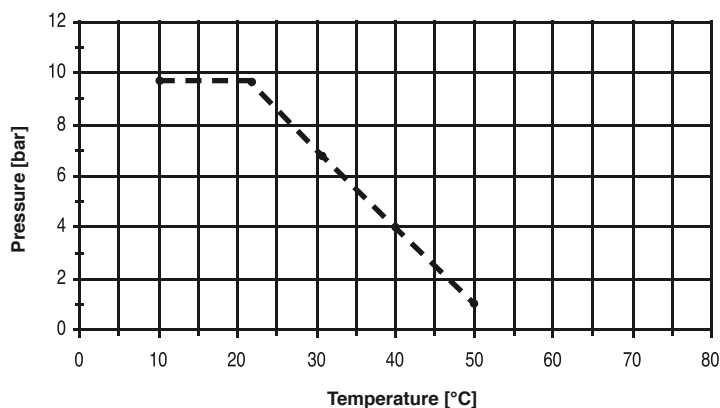
Pressure relief valves SDD 912 limits the static pressure to a constant and maximal settled value by opening the outlet (*to the discharge line*) when the pressure is overriding. The right angle concept allows small dimensions with a reduced weight for easiest fitting on line than any conventional in-line straight pressure relief valve. All wetted parts are in plastics; without any metallic parts exposed to the atmosphere it allows a location in corroding vapours.

The SDD 912 valves may be used as pressure relief valves on volumetric pumping system. These equipment protection devices have to be fitted on by-pass.

TECHNICAL FEATURES

Body:	PVC
Seat seal and O-rings:	FPM
Wetted parts:	PPH and PPG (Glass fibre reinforced Polypropylene)
Relief pressure:	1 to 10 bar
Pressure class:	PN 10 (at 20°C) ; [bar]
Temperature limits:	+10 ... +50°C
Inlet / outlet size:	ND 32 to ND 50
Hysteresis:	Approximately 0.5 bar
Connections:	PVC unions, solvent welding PVC loose flange
Flow rate limit:	3 m/s as a maximum

Operating conditions: pressure vs. temperature



BAMO MESURES

22, Rue de la Voie des Bans - Z.I. de la Gare - 95100 ARGENTEUIL

Tél : (+33) 01 30 25 83 20 - Web : www.bamo.fr

Fax : (+33) 01 34 10 16 05 - E-mail : info@bamo.fr

Pressure relief valves
SDD 912

19-01-2016

912 I1 02 E

PLAS

912-02/1

912

CODES NUMBERS AND REFERENCES

Inlet & outlet / PVC union solvent welding

ND	Seat seal and O-rings
ND 32	912 111
ND 40	912 112
ND 50	912 113

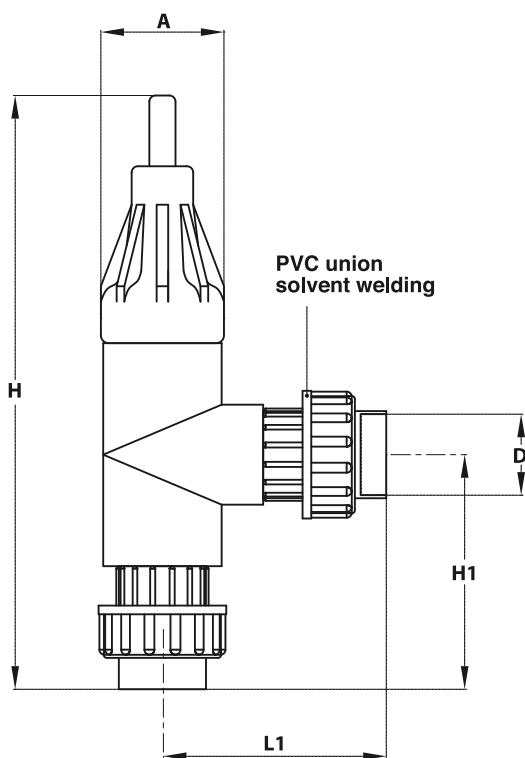
Inlet & outlet / PVC loose flange

ND	Seat seal and O-rings
ND 32	912 211
ND 40	912 212
ND 50	912 213

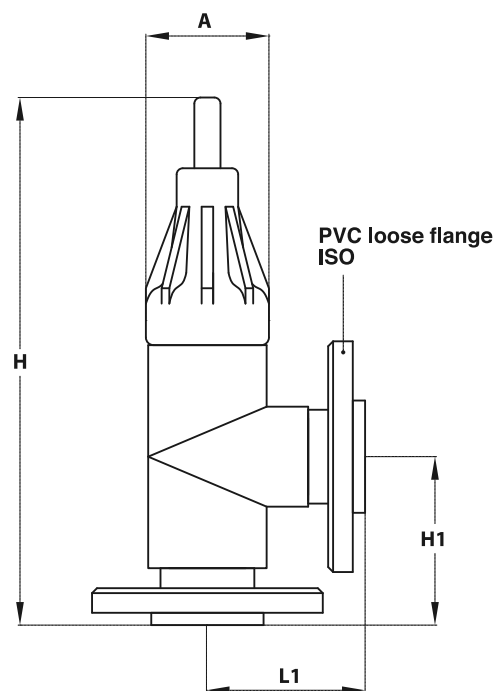
DIMENSIONS [mm]

ND	D	A	H	H1	L1	Mass [Kg]
ND 32	40	80	343* - 308	124* - 90	136* - 100	0.8 - 1
ND 40	50	80	386* - 343	153* - 110	145* - 103	1.3 - 1.5
ND 50	63	94	441* - 386	182* - 127	181* - 125	2 - 2.4

* : PVC union solvent welding



PVC unions, solvent welding



PVC loose flange

BAMO MESURES

22, Rue de la Voie des Bans - Z.I. de la Gare - 95100 ARGENTEUIL

Tél : (+33) 01 30 25 83 20 - Web : www.bamo.fr

Fax : (+33) 01 34 10 16 05 - E-mail : info@bamo.fr

Pressure relief valves
SDD 912

19-01-2016

912 I1 02 E

PLAS

912-02/2