

PRESSURE RELIEF VALVES V186 – V86



- To protect pumps and process systems
- Body in PVC, PP or PVDF
- Diaphragm: EPDM, PTFE coated
- Connections: spigot ends
- V186: ND 10 to ND 50
- V86: ND 65 to ND 100

APPLICATION AND FITTING

Pressure control valve model V186 or model V86 may be used as:

- Pressure relief valve when used as a by-pass: it opens when pressure is over the pre-set value.
- Pressure retaining valve when fitted in-line on main pipe circuit: the outlet pressure remains at a minimum value.

All wetted parts are in plastics, this allows large field of chemicals in use.

These equipment protection devices may be fitted by us with other connections: unions or flanges (on request).

TECHNICAL FEATURES

Body parts: PVC, PP or PVDF
 Temperature limits PVC: 0...+60 °C
 PP: -10...+80 °C
 PVDF: -20...+100 °C

Diaphragm: EPDM, PTFE coated

Model V186

Nominal diameter: ND 10 to ND 50
 Nominal pressure: PN 10
 Adjustable range: 0.5...10 bar

Model V86

Nominal diameter: ND 65 to ND 100
 Nominal pressure ND 65 & ND 80: PN 6
 ND 100: PN 4
 Adjustable range ND 65 & ND 80: 1...6 bar
 ND 100: 1...4 bar

CODE NUMBERS AND REFERENCES

ND	d	Body: PVC	Body: PP	Body: PVDF
10	16	911 501	911 531	911 561
15	20	911 502	911 532	911 562
20	25	911 503	911 533	911 563
25	32	911 504	911 534	911 564
32	40	911 505	911 535	911 565
40	50	911 506	911 536	911 566
50	63	911 507	911 537	911 567
65	75	911 508	911 538	911 568
80	90	911 509	911 539	-
100	110	911 510	911 540	-

BAMO MESURES

22, Rue de la Voie des Bans - Z.I. de la Gare - 95100 ARGENTEUIL

Tél : (+33) 01 30 25 83 20 - Web : www.bamo.fr

Fax : (+33) 01 34 10 16 05 - E-mail : info@bamo.fr

PRESSURE RELIEF VALVES V186 – V86

02-12-2013

911 I1 04 A

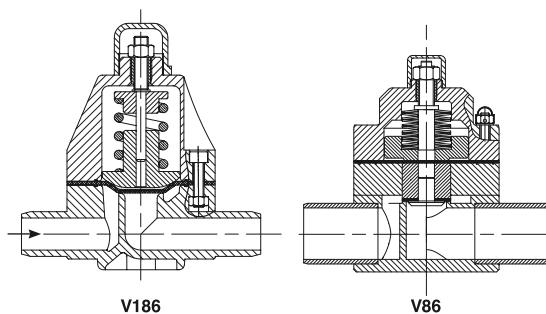
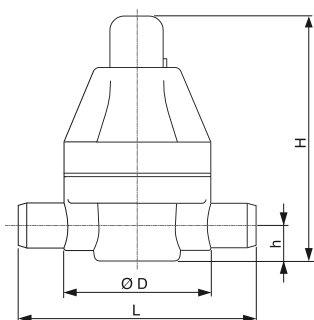
PLAS

911-04/1

911

DIMENSIONS

ND	d	L	D	h	H
10	16	134	83	20	137
15	20	134	83	20	137
20	25	134	83	20	137
25	32	174	112	27	199
32	40	174	165	27	199
40	50	224	165	43	290
50	63	244	165	43	290
65	75	284	180	-	275
80	90	360	250	-	410
100	110	380	250	-	485



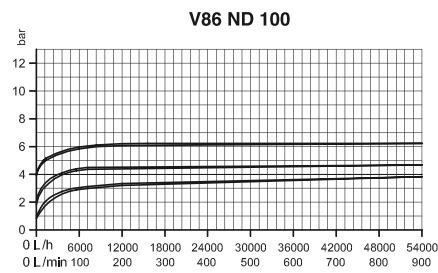
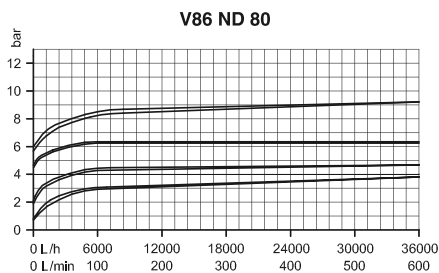
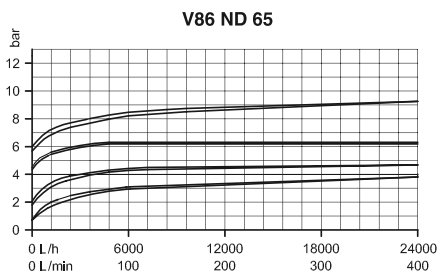
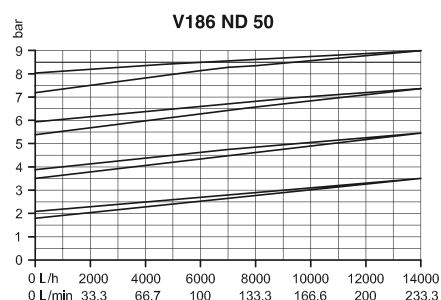
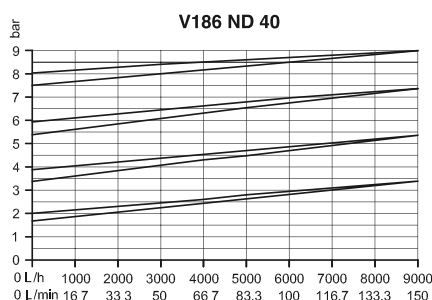
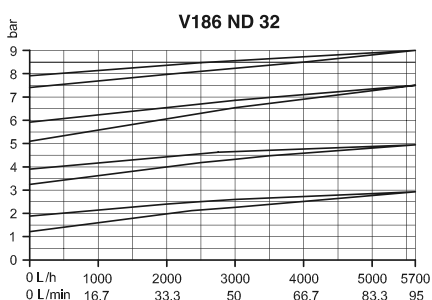
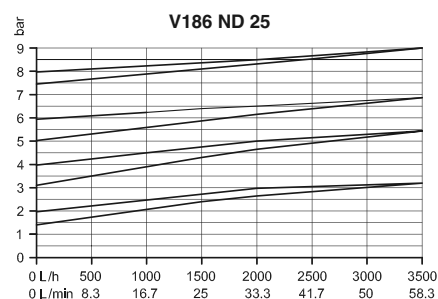
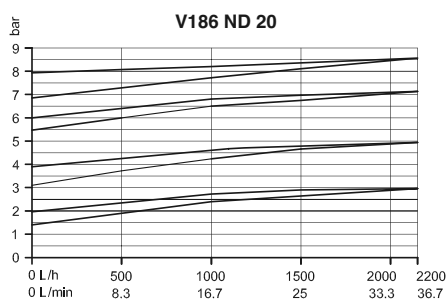
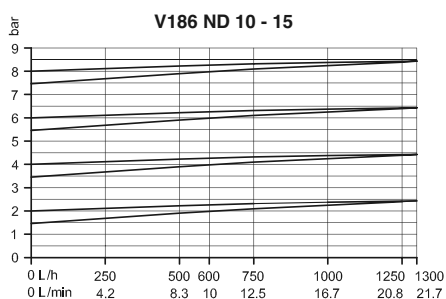
V186

V86

TECHNICAL FEATURES

All following diagrams are established for Water at 20°C.

For each couple of curves, the upper one represents the opening pressure and lower one represents the closing pressure.



BAMO MESURES

22, Rue de la Voie des Bans - Z.I. de la Gare - 95100 ARGENTEUIL

Tél : (+33) 01 30 25 83 20 - Web : www.bamo.fr

Fax : (+33) 01 34 10 16 05 - E-mail : info@bamo.fr

PRESSURE RELIEF VALVES
V186 - V86

02-12-2013

911 I1 04 A

PLAS

911-04/2