

# Pressure transducer TP 805



- Compact and robust construction
- Output signal: 4-20 mA; 2-wire
- Pressure: 0 ... 2.5 barg up to 25 barg
- AISI 316 Fitting: 1/2" G or 1/4" G
- Ceramic diaphragm

## APPLICATIONS

The pressure transmitter is used for pressure measurements, continuously in real time, of gases and liquids.

## DESCRIPTION

Accuracy, reliability, corrosion resistance and mechanical load upper limit, make this top quality pressure transmitter a suitable product for a wide variety of industrial applications.

The transmitter is based on a piezo-resistive sensor for which the ceramic diaphragm fits a stainless steel body to resist to aggressive chemicals. Materials in use and the technology implemented make this sensor particularly resistant to vibrations and mechanical shocks.

Commissioning is easy and fast. The pressure transmitter is factory adjusted to its measuring range and can not be modified on site. It does not require maintenance.

## TECHNICAL FEATURES

Pressure ranges	0... 2.5 up to 0 ... 25 barg
Overload limit:	2.5 times the full scale
Accuracy	±0.5 % F.S.
<i>Inclusive: variations on zero point, end of range, linearity, hysteresis and repeatability</i>	
Response time	< 2 ms
Fluid temperature	-15 ... +125 °C
Ambient temperature	-30 ... +85 °C
Temperature incidence	± 0.2 % F.S. / 10 K
<i>Test conditions: At 25 °C</i>	
Output signal	4 ... 20 mA
Power supply	7 ... 33 V DC, 2-wire loop
Protected against short circuit and reverse polarity	
Isolation voltage	500 V DC
Electric protection	Classe III
Connections	Connector DIN; EN 175301-803-A Cable Ø 6 ... 8 mm
Protection	IP 65 (connector DIN mounted)
<b>Materials:</b>	
Body and fitting	AISI 316 L (1.4404)
Seal	FPM
Sensor	Piezo-resistive with ceramic diaphragm Al <sub>2</sub> O <sub>3</sub> (96 %)
Connector	Polyamide 50 % GF UL 94 V-0
<b>Mounting:</b>	
Fitting	Male threads: G 1/4" or G 1/2"
Mounting position	Vertical, connector upward (recommended)

# BAMO MESURES

22, Rue de la Voie des Bans · Z.I. de la gare · 95100 ARGENTEUIL

Tel +33 (0)1 30 25 83 20 Web [www.bamo.fr](http://www.bamo.fr)

Fax +33 (0)1 34 10 16 05 E-mail [info@bamo.fr](mailto:info@bamo.fr)

Pressure transducer  
TP 805

PR

805-04/1

13-11-2018

D-805.04-EN-AC

Mass	90 g
<b>Agreements</b>	
Electromagnetic compatibility	Directive EN 61326-2-3
EMC additional	Directive EN 50121-3-2
Mechanical Tests & Environmental Tests	Procedures IEC 68-2-27 & IEC 68-2-29
Vibrations, mechanical tests	Procedures IEC 68-2-6

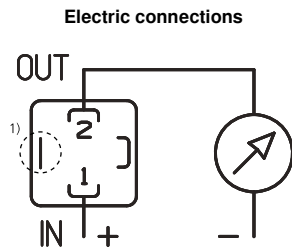
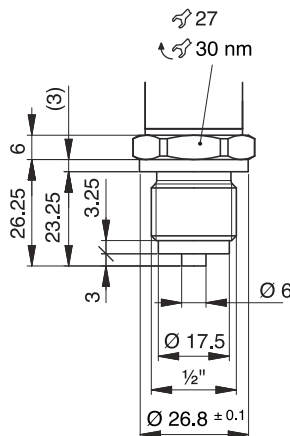
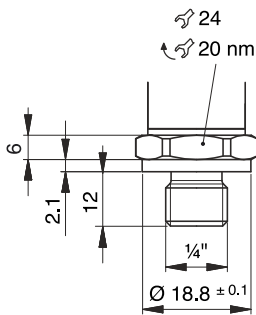
**EC Conformity: The instrument meets the legal requirements of the current European Directives**

### CODE NUMBERS AND REFERENCES

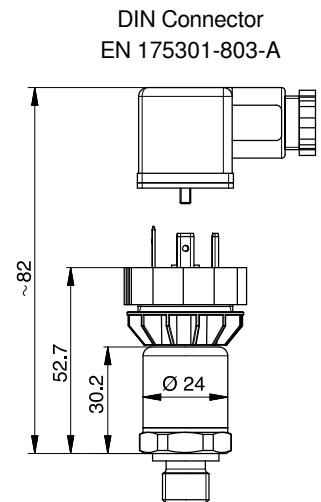
Code	Reference	Measuring range	Fitting
805 021	TP 805-528914-4	0... 2.5 bar	BSP 1/4"
805 024	TP 805-528915-4	0...4 bar	
805 026	TP 805-528917-4	0...6 bar	
805 030	TP 805-528930-4	0...10 bar	
805 036	TP 805-528931-4	0...16 bar	
805 402	TP 805-528914	0... 2.5 bar	BSP 1/2"
805 406	TP 805-528917	0...6 bar	
805 410	TP 805-528930	0...10 bar	
805 416	TP 805-528931	0...16 bar	
805 425	TP 805-528932	0...25 bar	

Other operating ranges: on request.

### DIMENSIONS



1 (IN) 2 (OUT)



### PRECAUTIONS

- These sensors should be handled by qualified technicians.
- Wet parts must be suitable for the application.
- The pressure limit for overload must be considered and respected.
- Protect the device from the direct action of UV / sunlight.

# BAMO MESURES

22, Rue de la Voie des Bans · Z.I. de la gare · 95100 ARGENTEUIL  
 Tel +33 (0)1 30 25 83 20 Web www.bamo.fr  
 Fax +33 (0)1 34 10 16 05 E-mail info@bamo.fr

Pressure transducer  
**TP 805**

13-11-2018

D-805.04-EN-AC

PR

805-04/2

805

805