

TURBINE FLOW-METRE BAMOTUR



- For low flow rates
- Construction in E-CTFE, PVDF and POM
- Seals in FPM (EPDM or Kalrez on request)
- Frequency output
- For aggressive or high grade fluids
- Range from 0 to 1.5 L/h, up to 1000 L/h

PRINCIPE

The turbine with ceramic axis (or sapphire or stainless axis- see the models) rotates proportionally to the fluid speed. Magnets on shafts actuate the Hall Effect sensor. The electronic transmit a frequency signal in direct relation with the flow rate.

APPLICATIONS

The BAMOTUR Flow Sensor is designed for low flow rates of neutral or aggressive liquids. The fluid may not contain particles and may not crystallize. It is recommended to install a filter before the BAMOTUR.



TECHNICAL SPECIFICATIONS

Detection: Hall Effect sensor, no wetted parts
Supply voltage: 5 to 24V DC
Output signal: Square pulses
Accuracy: +/- 2% full scale
Repeatability: <0.8% full scale
Viscosity range: 1 to 10 cSt
Temperature: -10°C to +55°C

WIRING

Signal: 3 x 0,14 mm²

Green: pulses
White: + power supply
Brown: - power supply

INSTALLATION

The BAMOTUR should be mounted in a vertical position with an ascendant flow.

These instruments have not a linear response: please see the drawings.

BAMO MESURES

22, Rue de la Voie des Bans - Z.I. de la Gare - 95100 ARGENTEUIL

Tél : (+33) 01 30 25 83 20 - Web : www.bamo.fr

Fax : (+33) 01 34 10 16 05 - E-mail : info@bamo.fr

**TURBINE FLOW-METRE
BAMOTUR**

05-03-2008

781 11 01 G

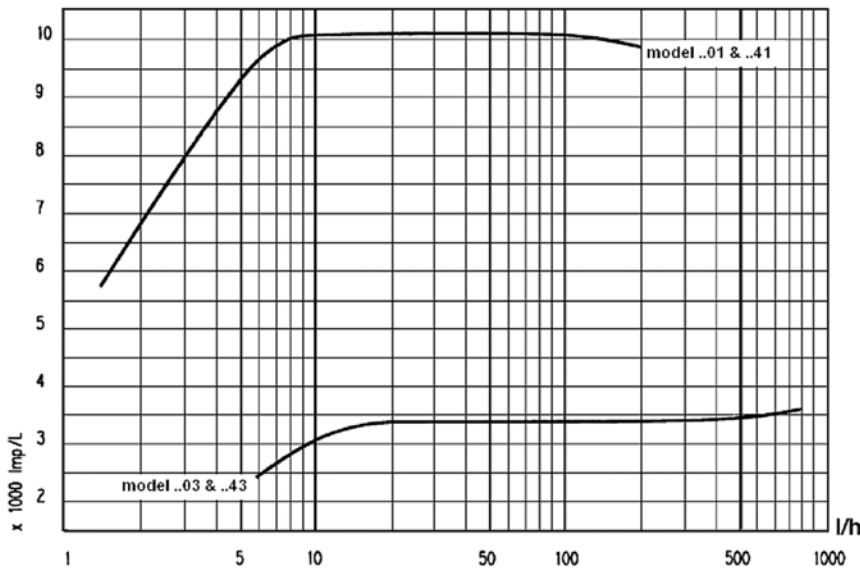
DEB

781-01/1

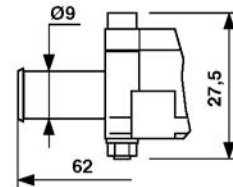
Code	Reference	Range L/h	Material			Connection	max. T°	Weight	Pulse /Litre	Drawing
			Body	Axis	gasket					
Frequency output 12...24 V DC										
781 106	BAMOTUR 7201	1.5 to 100	POM	Stainless	FPM	nozzle Ø 6/8 mm	55 °C	50 gr	10 200	B
781 109	BAMOTUR 7203	6 to 250	POM	Stainless	FPM	nozzle Ø 9 mm	55 °C	50 gr	3 400	A
781 111	BAMOTUR 7241	1.5 to 100	POM	Stainless	FPM	BSP ¼"	55 °C	50 gr	10 200	C
781 113	BAMOTUR 7243	6 to 250	POM	Stainless	FPM	¼"	55 °C	50 gr	3 400	C
781 126	BAMOTUR 7701	1.5 to 100	PVDF	Stainless	FPM	nozzle Ø 6/8 mm	55 °C	50 gr	10 200	B
781 139	BAMOTUR 7703	6 to 250	PVDF	Stainless	FPM	nozzle Ø 9 mm	55 °C	50 gr	3 400	A
781 144	BAMOTUR 7901	1.5 to 100	E-CTFE	Sapphire	FPM	BSP ¼"	55 °C	100 gr	10 200	F
781 154	BAMOTUR 7903	6 to 250	E-CTFE	Sapphire	FPM	BSP ¼"	55 °C	100 gr	3 400	F
781 158	BAMOTUR 72R4	30 to 1000	POM	Stainless	FPM	BSP ⅜"	55 °C	100 gr	152	D
781 165	BAMOTUR 79R4	30 to 1000	E-CTFE	Ceramic	FPM	BSP ⅜"	55 °C	100 gr	152	D

A coloured ring on the cable indicates the gasket material: green for FPM, black for EPDM and white for Kalrez

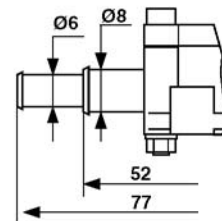
Response in pulse/litre



Drawing A

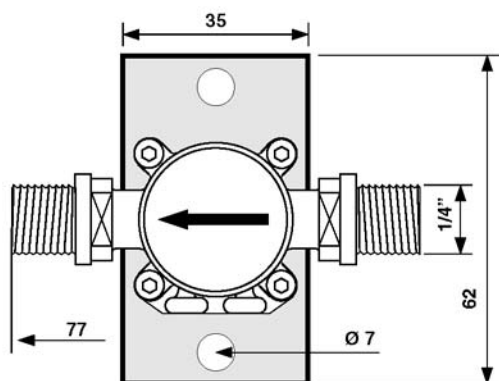


Drawing B

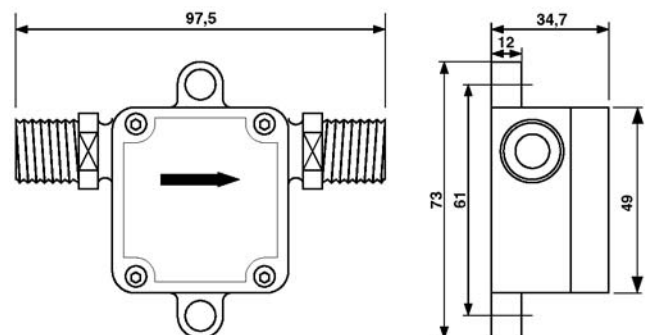


Drawing C & F

Necessary mounting plate for E-CTFE models (10 mm thick)



Drawing D



BAMO MESURES

22, Rue de la Voie des Bans - Z.I. de la Gare - 95100 ARGENTEUIL
 Tél : (+33) 01 30 25 83 20 - Web : www.bamo.fr
 Fax : (+33) 01 34 10 16 05 - E-mail : info@bamo.fr

**TURBINE FLOW-METRE
 BAMOTUR**

05-03-2008

781 11 01 G

DEB

781-01/2