

# Paddle flow controller CDP-P



- For clean water and all fluids compatible
- Convenient for drinkable water
- Body: PPO
- Paddle: polypropylene
- Mounting on pipe line from ND 25 to ND 65
- Fitting on Tee, or adaptors 1/2" G (female)

## DESCRIPTION

The paddle is mounted at 90° of angle of flow axis; it actuates a micro-switch. CDP-P is particularly suitable for flow control of water plant.

## MICRO-SWITCH

Change-over contact, potential free, NO or NF by wiring on site.  
Switching power: 5 A / 230 V AC

## TECHNICAL FEATURES

Body & fitting:	PPO, fibre glass reinforced
Process connection:	Female thread 1/2" G
Fitting seal:	NBR
Torque:	7 N.m to respect
Paddle:	Polypropylene, to cut on site, graduated each 5 mm <i>(resistance to ozone and standard disinfectant for water)</i>
Sealing:	Santoprene <i>(resistance to ozone and standard disinfectant for water)</i>
Mounting on pipes:	From ND 25 to ND 65
Temperature limits:	Fluid: 5 to 80 °C Ambient: 5 to 50 °C
Nominal pressure:	1 MPa or NP 10 (at 20 °C)
Contact:	Change-over, NO or NF by wiring on site Switching power: 5 A / 230 V AC
Connector:	Cable output, 3 wire, 0.75 mm <sup>2</sup> , T 80 °C, H05W F, 2 m long
Protection:	IP 65

## CODE NUMBERS AND REFERENCES

Code	Reference	Description
710 500	CDP-P	Paddle flow controller - PPO

## START UP

According to pipe ND and flow rate: choose the paddle length in following table, where switching values correspond to water at 20 °C with horizontal pipe.

With vertical pipe:

- Upward flow: Switching values are greater.
- Downward flow: Slope must not be greater than 40%

# BAMO MESURES

22, Rue de la Voie des Bans - Z.I. de la Gare - 95100 ARGENTEUIL

Tél : (+33) 01 30 25 83 20 - Web : [www.bamo.fr](http://www.bamo.fr)

Fax : (+33) 01 34 10 16 05 - E-mail : [info@bamo.fr](mailto:info@bamo.fr)

Paddle flow controller  
**CDP-P**

15-04-2015

710 11 03 B

**DEB**

**710-03/1**

## SWITCHING VALUES

Indication: Average values on trigger points in L/min, according to ND pipes. Tolerance:  $\pm 30\%$

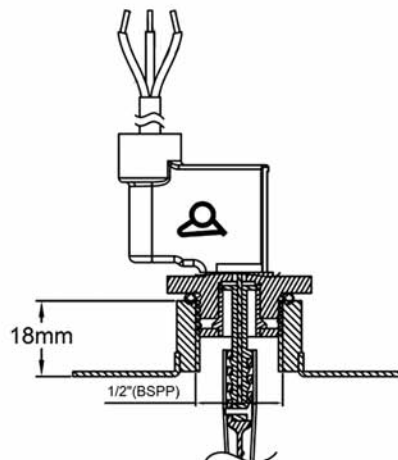
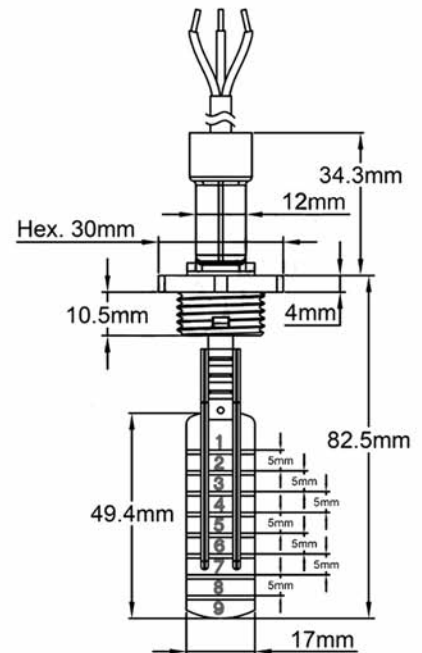
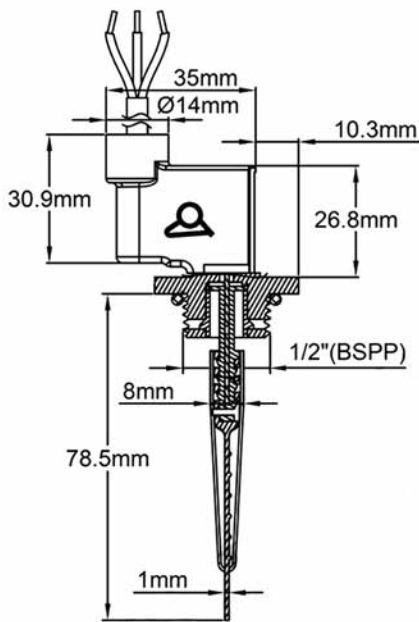
Palette length (sections)	Internal diameter in mm									
	25		32		40		50		63	
	Closing	Opening	Closing	Opening	Closing	Opening	Closing	Opening	Closing	Opening
1	34	32	67	63	123	113	225	200	506	424
1+2	23	19	50	48	98	93	173	153	389	324
1+2+3			40	38	76	73	143	128	321	271
1+2+3+4					61	58	110	106	220	200
1~5					49	46	89	84	200	178
1~6							73	68	165	150
1~7							62	58	152	138
1~8									133	123
1~9									113	108

**Closing:** When flow is greater than indicated flow rate (L /min) (status: contact is open without flow)

**Opening:** When flow is back to lower value than indicated flow rate (L /min) (status: contact is open without flow)

Indicative values; **Tolerances:  $\pm 30\%$**

## DIMENSIONS



**BAMO MESURES**

22, Rue de la Voie des Bans - Z.I. de la Gare - 95100 ARGENTEUIL

Tél : (+33) 01 30 25 83 20 - Web : [www.bamo.fr](http://www.bamo.fr)

Fax : (+33) 01 34 10 16 05 - E-mail : [info@bamo.fr](mailto:info@bamo.fr)

Paddle flow controller  
**CDP-P**

15-04-2015

710 I1 03 B

**DEB**

**710-03/2**