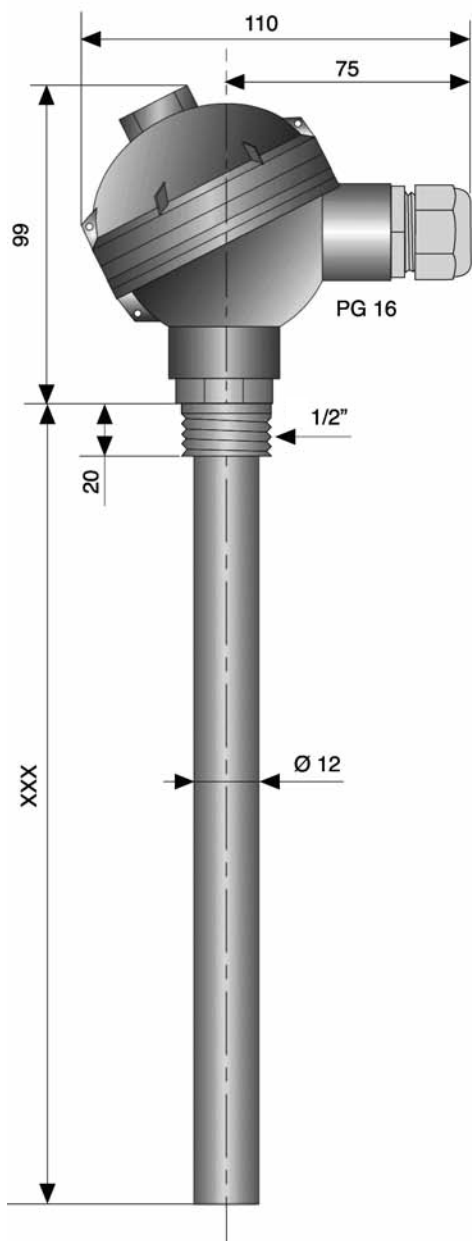


Pt 100 Ω - TEMPERATURE PROBE TS 13

- Pt 100 Ω at 0°C
- Operating range: -20...+140 °C
- Wetted parts: materials for aggressive fluids



DESCRIPTION & FEATURES

Fitting

Without
1/2" BSP

0
1

Probe material

PVC
PPH
PVDF

P
H
V

Plunger length

50...999 mm

xxx

Plunger Ø

12 mm

12

Sensor

Simple 3 wires
Simple 4 wires
Duplex 2x3 wires

3
4
6

Accuracy

Classe A
Classe B

A
B

Connexion

Ceramic terminal box
4-20 mA transmitter

C
T

Head housing material

PVC
PP

PVC
PP

TS 13

Operating limits

PVC: -10...60 °C
PPH: -10...105 °C
PVDF: -20...140 °C

TS 13 [] [] [] 12 [] [] [] []

BAMO MESURES

22, Rue de la Voie des Bans - Z.I. de la Gare - 95100 ARGENTEUIL

Tél : (+33) 01 30 25 83 20 - Web : www.bamo.fr

Fax : (+33) 01 34 10 16 05 - E-mail : info@bamo.fr

TEMPERATURE PROBE

Pt 100 Ω at 0°C

TS 13

07-08-2014

613 I1 01 C

TE

613-01/1