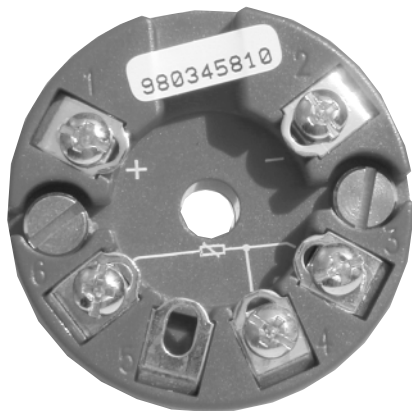


PROGRAMMABLE 2 WIRES TRANSMITTER T2FR 5333



- PT100 ohm and resistance input
- Programmable by computer
- 4/20mA or 20/4 mA
- SI EEx ia IIC, T1 -T6 in option

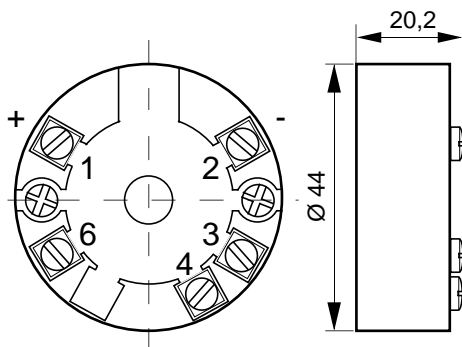
APPLICATIONS

Temperature linear measure with resistance sensor, Pt 100, Pt 1000, Ni 100. Resistance conversion to a standard 4-20mA signal (RTM)
With ohmic input, it is possible to make a 60 points linearization from customer specification (specially for RTM)
To avoid lost or modification of data, in case of power outage, calibration data are saved in a EEPROM.
T2F5333 is delivered with configuration required by the final user. programming on site is done by the Loop Link 5905 kit (page 601/6)

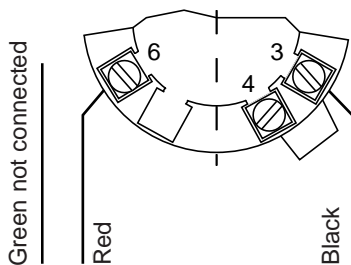
CHARACTERISTICS

Power supply:	non EEx: 8,0 ... 35 V EEx: 8,0 ... 28 V
Internal consumption:	25 mW ... 0,8 W
Probe current:	> 0,2 mA, < 0,4 mA
Accuracy:	± 0.3%
Power outage:	8 Vdc
Response time:	from 0.33 to 60 s
Temperature factor:	< ± 0.01 % EC / °C
Linearity error:	< 0.1 % EC
Power supply effect:	< 0.005 % EC / Vdc
Line resistance effect (3 wires):	< 0.002 Ohm / Ohm
< 100°C temperature	
Factor (RDT):	± 0.01°C / ambient T°
CEM data immunity effect:	< ± 0.5 % EC
Temp calibration:	24°C ± 4°C
Input max difference:	50% of max value
Tightness (box/terminal):	IP68 / IP00
Wires max section:	1 x 1.5 mm ²
Max. line resistance (per wire):	10 Ohm
Weight:	50 g

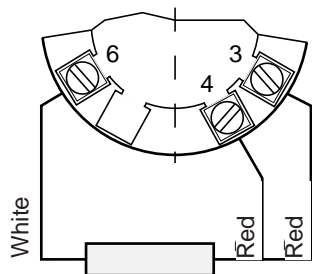
EC = Calibrated scale



Wiring for RTM



Wiring for Pt 100 Ω



ELECTRICAL SPECIFICATION

Input type	Min. value	Max. value	Min. range	mA Output	Min. range	Breaking safety	
						Basse	Haute
Pt 100	-200 °C	+ 850 °C	25 °C	4-20	16	3,5 - 4	20 - 23
Ni100	-60 °C	+ 250 °C	25 °C	4-20	16	3,5 - 4	20 - 23
R. Lin.	0 Ω	10 KΩ	30 Ω	4-20	16	3,5 - 4	20 - 23

CODES & REFERENCES

Code	Reference	Type
601 333	T2FR 5333-1	Standard transmeeter
601 335	T2FR 5333-2	Intrinseque safety transmeeter
601 339	BPR - 5905	P.Computer programming kit

BAMO MESURES

22, Rue de la Voie des Bans - Z.I. de la Gare - 95100 ARGENTEUIL
Tél : (+33) 01 30 25 83 20 - Web : www.bamo.fr
Fax : (+33) 01 34 10 16 05 - E-mail : info@bamo.fr

PROGRAMMABLE
2 WIRES TRANSMITTER
T2FR 5333

TE

601/5