

Compact Overfill Sensor MAXIMAT® VK C



- Float level detection
- For aggressive and non electrically conductive liquids
- Positive active alarm
- Auto diagnostic system and LED indication
- Approvals: DIBT Z-65.11-355, for overfilling detection WHG §19, and VLAREM II

APPLICATIONS

With its integrated transmitter and connection for diagnostic, the MAXIMAT VK C is ideal to detect the liquid level and to give an alarm before the overfilling of a tank. Convenient to use with non electrically conductive liquids, oils, emulsified, non-flammable, water endangering liquids; even highly aggressive liquids. It is a perfect instrument to detect fluid in a double wall tank. MAXIMAT VK C operates with liquids of specific weight from 0,7 kg/dm³

PRINCIPLE

The transmitter MAXIMAT VK C is designed to detect conductive liquids non electrically conductive. The detection results from position of a magnetic inside the float and a Reed contact.

The liquids may not generate deposit originating jamming of float.

The MAXIMAT VK C has 3 different outputs, factory built-in:

- Binary output to active optocoupler, numeric input
- Analog 0...20 mA output for any analog input of PLC

TECHNICAL SPECIFICATIONS

Main power supply:	15...26 V DC; caution: DC current circuit should be protected by a fuse of 250 mA.
Power consumption:	approx. 3 W
Operating pressure:	atmospheric, 0.8...1.1 bar
Terminal housing:	PBT, fibre glass reinforced, IP 65 acc. EN 60 529
Process connection:	Adjustable union with threaded BSP 2" or flange /PN10
Ambient temperature:	-20...+60°C
Terminals:	screw connectors, IP 20; max. wire cross-section 2.5 mm ²
Cable gland:	M20x1.5 [cable Ø 5...9 mm]
Outputs:	
• Switch [+DO / -DO]:	optocoupler NPN, maximum 30 mA
• Switch [+AO / -AO]:	current 0...20 mA
Configuration:	with 4 DIP switches
Lighting signal:	1 LED inside the terminal housing for correct operating system
CE mark:	in accordance with low-voltage directive (2006/95/CE) and EMC directives (2004/108/EG)
Approvals	DIBT Z-65.11-355, for overfilling detection WHG §19, and VLAREM II

BAMO MESURES

22, Rue de la Voie des Bans - Z.I. de la Gare - 95100 ARGENTEUIL

Tél : (+33) 01 30 25 83 20 - Web : www.bamo.fr

Fax : (+33) 01 34 10 16 05 - E-mail : info@bamo.fr

Compact Overfill Sensor
MAXIMAT® VK C

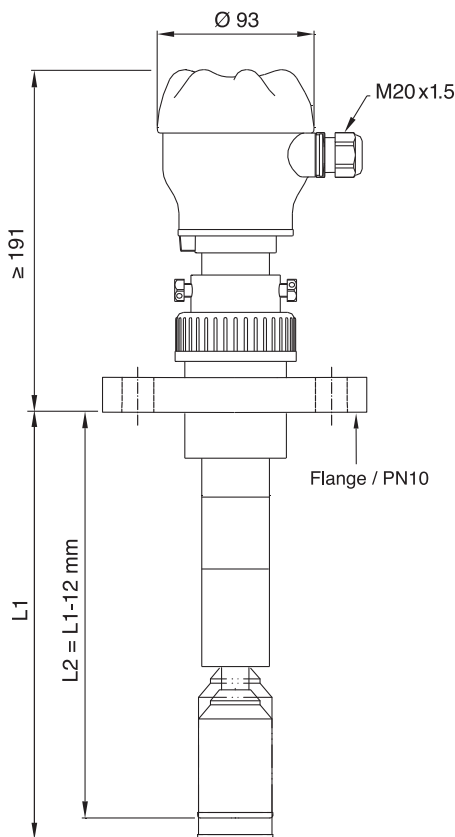
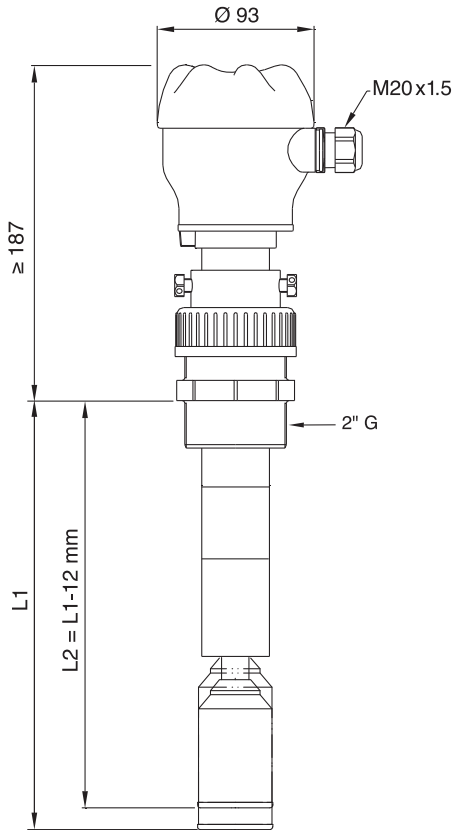
21-10-2014

555 I1 02 C

NIV

555-02/1

DIMENSIONS



CODES AND REFERENCES

MAXIMAT VK C, 24V DC, overfill transmitter

Probe material

- 2 = PP
- 4 = PE-HD (standard)

Process connection adjustable height

- ##### Threaded BSP 2"
- 31 = PVC (standard)
 - 32 = PP

Weld-on union BSP 2"

- 54 = PE-HD
- 52 = PP

Flange DN40 PN 10

- 451 = PVC
- 452 = PP

Flange DN50 PN 10

- 461 = PVC
- 462 = PP

Flange DN65 PN 10

- 471 = PVC
- 472 = PP

Process connection non-adjustable height

- ##### Threaded BSP 2"
- 14 = PE-HD
 - 12 = PP (standard)

Flange DN40 PN 10

- 254 = PE-HD
- 252 = PP

Flange DN50 PN 10

- 264 = PE-HD
- 262 = PP

Flange DN65 PN 10

- 274 = PE-HD
- 272 = PP

Trigger point measured as of sealing surface, L =

—	08 = 450 mm	14 = 750 mm
03 = 200 mm	09 = 500 mm	15 = 800 mm
04 = 250 mm	10 = 550 mm	16 = 850 mm
05 = 300 mm	11 = 600 mm	17 = 900 mm
06 = 350 mm	12 = 650 mm	18 = 1000 mm
07 = 400 mm	13 = 700 mm	

Example:

MAXIMAT VK C	4	31	L = 04	Special length: L = . . . mm
--------------	---	----	--------	------------------------------

MAXIMAT VK C, float detection level, PE-HD probe, adjustable PCV process connection BSP 2", Length = 250 mm

BAMO MESURES

22, Rue de la Voie des Bans - Z.I. de la Gare - 95100 ARGENTEUIL

Tél : (+33) 01 30 25 83 20 - Web : www.bamo.fr

Fax : (+33) 01 34 10 16 05 - E-mail : info@bamo.fr

Compact Overfill Sensor MAXIMAT® VK C

21-10-2014

555 I1 02 C

NIV

555-02/2