

# FLOOR LEAKAGE ALARM DEVICE

## WM25



- Floor stand detector, compact unit
- Without moving parts
- Built-in relay
- Cable output, 5 m long PVC cable

### PRINCIPLE

Two electrodes are permanently separated and electrically insulated from each other. The detector monitors the open circuit. When an electrical conductive fluid joins the two electrodes, the resistive detector actuates a relay.

### APPLICATIONS

To control if electrically conductive fluids are on site or are not. Single point detection of leakage in basin, drain, etc.

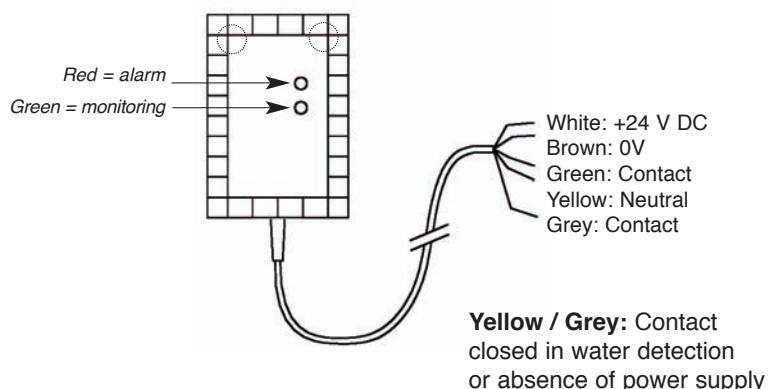
### TECHNICAL FEATURES

Main power supply:	input for 24 V DC (18-30 V DC)
	Maximum of 20 mA
Sensitivity:	Detection within 0.8 to 1 MOhm
Detection current:	Around 1 mA ac
Relay:	Contact 60 V / 0.5 A max.
Dimensions in mm:	Length 50 x Width 35 x Height 25
Cable:	PVC, length of 5 m (5 wires x 0,14 mm <sup>2</sup> )
Operating temperature:	-20°C ... +60°C
Mass:	100 g (without cable)
EC marks:	according (2006/95/EEC) and (89/336/CEE)

### CODE NUMBER AND REFERENCE

Code	Reference	Designation
544 201	WM25	Floor leakage alarm device with built-in relay

### WIRING



Alarme reset = Power off sensor (> 2s)

# BAMO MESURES

22, Rue de la Voie des Bans - Z.I. de la Gare - 95100 ARGENTEUIL

Tél : (+33) 01 30 25 83 20 - Web : [www.bamo.fr](http://www.bamo.fr)

Fax : (+33) 01 34 10 16 05 - E-mail : [info@bamo.fr](mailto:info@bamo.fr)

FLOOR LEAKAGE ALARM DEVICE  
**WM25**

07-02-2014

544 I1 07 A

**NIV**

**544-07/1**