

PROGRAMMABLE COUNTER

- BCP 48 -

289



- Universal and simple
- Double back-lighted LCD display.
 - . Main counter 8 digits Totalizer.
 - . Second counter 6 digits.
- Batch counter with two pre-setting.
- 4 programming mode.
- Supply sensor 24 V.
- DIN 48 x 48 enclosure box.

DESCRIPTION

The BCP48 is a meter to exceptional performances in a format DIN 48 x 48. During the idea of this product, an particular attention has been done to the comfort of utilization and to the facility to using.

Thus, a double display LCD back-lighted allows the simultaneous display of

- The current value (Upper display 7 mm high)
- Choise between the présélections values P1, P2 or the total general or the auxiliary meter. (down display 4 mm high)

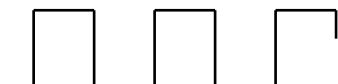
The modification of a parameter or a preset value been made in all simplicity thanks to a big touch 4 directions, that allows to select rapidly the digit to change and to increased or decreased it.

By programming, it is possible to validate parameters ahead to remain accessible to the user.

A cycle can be started or interrupted from a distance.

Compact, universal and simple of utilization, are characteristics that allow this counter to give you solution for applications them most various.

PRINCIPLE



The counter BCP 48 allows to total impulsions in source of equipped materials of contacts such that meters M, or the flowmeters with turbine FFG, MICROSTREAM, BAMOTUR, as well as the BAMOFLU.

With a divisor / multiplier coefficient, the frequency received is converted in a physical value such that m³ or liter.

TECHNICAL CHARACTERISTICS

Main supply	: Bivoltage 115-230 Vac 10%. (Other on request.)
Sensor supply	: 12 to 26 Vdc under 60 mA maxi.
Display	: 2 lines, 7 back-lighted segment 6 digits.
Frequency	: 10 KHz maxi.
Input	: PNP, NPN, Namur.
Coefficient	: 0,0001 up to 9999,99
Impedance	: 3 kΩ.
Consumption	: 6 VA.
Relay output	: 2 NO or NC, choice by programming.
Power rating	: 150 VA / 260 Vac/ 1 A. (protection by varistance 300 V).
Program	: On EEPROM (10 years).
Protection	: IP65 in front panel.
Temperature	: 0 to 50 °C in functioning. -20 to + 70 °C for stocking.
Weight	: 260 g.
Connections	: 2 Removable wiring connector

BAMO MESURES

22, Rue de la Voie des Bans - Z.I. de la Gare - 95100 ARGENTEUIL

Tél : (+33) 01 30 25 83 20 - Web : www.bamo.fr

Fax : (+33) 01 34 10 16 05 - E-mail : info@bamo.fr

PROGRAMMABLE
COUNTER
- BCP 48 -

23/02/99

289 11 03 A

DOC

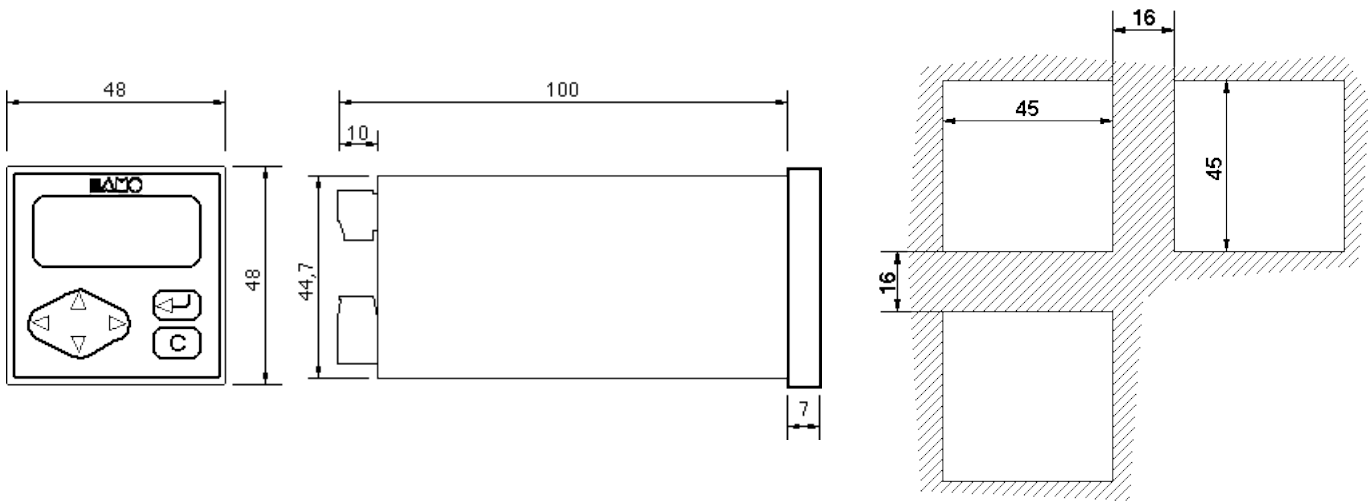
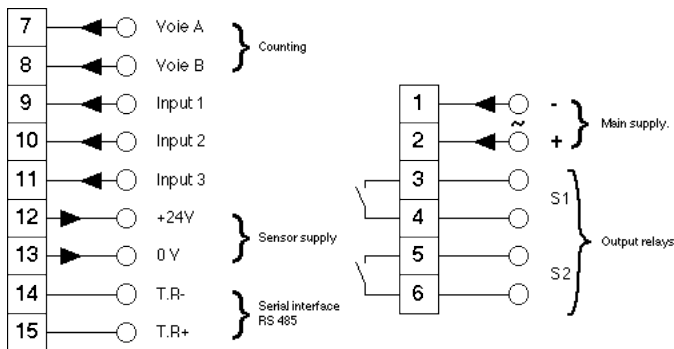
289/3

ORDERING CODE AND REFERENCE

289 300

Counter BCP 48

Enclosure box DIN 48 x 48 - Main supply 115-230 Vac

DIMENSIONS**ELECTRICAL CONNECTIONS**

We recommend to screen all encoder terminal leads and to ground the shield on one side. Shields on both sides are recommended in case of RF interface or in case of equipotential bonding.

The encoder leads should not be in the same phase winding as the MAINS supply and output contact leads.

COUNTING MODES**Unidirectional 1 Track A**

Pulses on Track A are totalised.

Bidirectional 1 Track A

Pulses on Track A are counted or decounted, depend of the programming of Track B.

Differential 2 Track A - B

Pulses from Track A are added and pulses from Track B are subtracted.

Counting Track A and Track B

Pulses from Track A and B are counted.

BAMO MESURES

22, Rue de la Voie des Bans - Z.I. de la Gare - 95100 ARGENTEUIL
Tél : (+33) 01 30 25 83 20 - Web : www.bamo.fr
Fax : (+33) 01 34 10 16 05 - E-mail : info@bamo.fr

23/02/99

**PROGRAMMABLE
COUNTER
- BCP 48 -**

289 11 03 A

DOC**289/4**