

2 channels measuring amplifier EVEREST 214 S



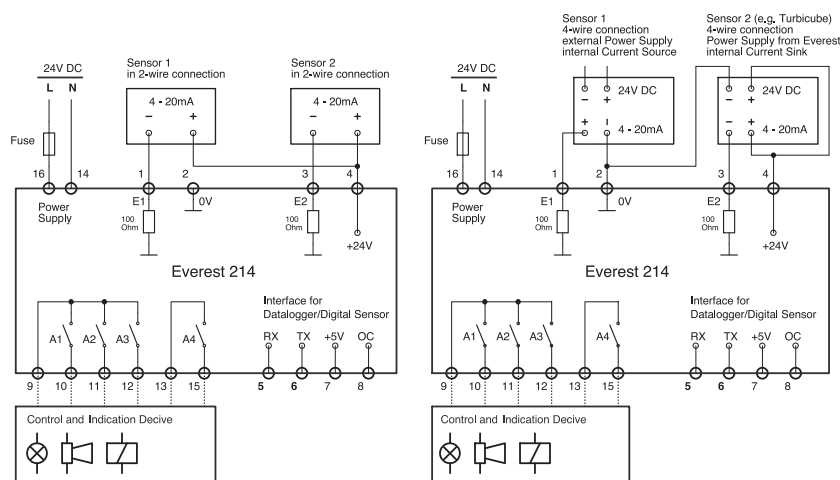
- 4 Limit value Relays for 1 or/and 2 input signal
- The forth relay may be used as a Timer
- Adjustable hysteresis
- 2 inputs 4-20 mA, scalable from 0 to 25 mA
- Power supply to the sensors

DESCRIPTION

This measuring amplifier is able to control a total of 4 adjustable thresholds for one or two 0/4-20 mA sensors (2 or 3/4 wires). Powered by main line 100...255 V AC – 50/60 Hz, EVEREST 214-S provide power to both sensors 2 wire technique (or 3-4 wire).

TECHNICAL FEATURES

Main power:	100...255 V AC – 50/60 Hz	Code number 232 116
	10...30 V DC	Code number 232 113
Power consumption:	Approximately 3 VA	
Ambient temperature:	-10...+45°C	
Limit relays S1, S2, S3:	Adjustable trigger points, NO/ NC	
Limit relay S4:	Adjustable trigger points, NO/ NC, or set up as a timer (by DIP switch)	
	TIMER Adjustable from 1 s to 24 h	
Switching power:	250 V AC; 2 A / 30 V DC; 1 A	
Sensor supply:	24 V DC, max 100 mA for 2 wire sensors	
Housing:	IP 40 – dimensions 22.5 x 100 x (h) 122 mm	
	Rail DIN mounting (35 x 7.5 mm - DIN EN 50 022)	
Electrical connectors:	Terminals screw connections max. 1.5 mm ²	
Measuring circuit:	2 channels 0/4-20 mA	
Accuracy:	0.5 % ±0.5 digit	
Filter:	Adjustable from 0.1 s to 3 s	
Hysteresis:	Adjustable from 0 to 99%	
Indicator:	2-digit LED display for signal in %	
	4 LED relay status	
	1 LED for each channel (green= channel one; blue= second channel)	
CE Mark:	In accordance with low-voltage directive (2006/95/CE), EMC directives (89/336/EEC)	



START UP

LED off
 LED On
 LED blinking

 Switch Turn
 Switch Push

