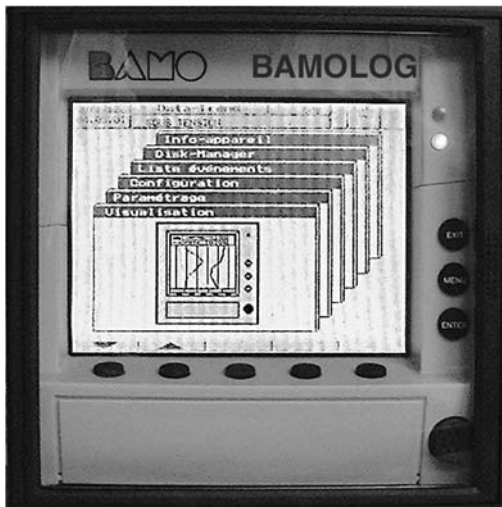


VIDEO RECORDER 6 INPUTS BAMOLOG



- STN 5" color screen.
- 6 input with galvanic isolation.
- Storage of 650 000 measures in floppy disk and 350 000 on central memory.
- 2 alarmes per input with hysteresis and delay time.
- Events timing display
- 18 messages of 20 digits for configuration.
- Programmation from floppy disk or PC software.
- Data transfer on spreadsheet

DESCRIPTION

DIN43700 built in housing, 144 mm x 144 mm format with 214 mm insertion depth (screw terminals included). 27 colors 5" \geq 150Hz screen, 320 x 240 pixels resolution display. BAMOLOG video recorder main difference from conventional recorders, is to be able to use memorized data directly on main frame.

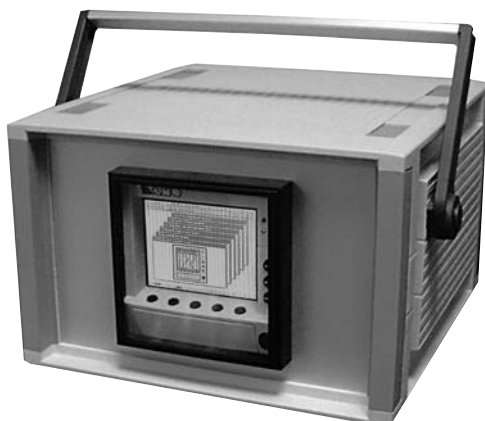
Integrated 3,5" 1,44 Mo floppy recorder for 650000 measure storage. CPU board for process memory and 350 000 measures data memory. Programming can be done by 8 button in front face, by floppy disk or serial link in option.

TECHNICAL CHARACTERISTICS

Power supply	: 110 / 240 V AC or 20/53 V AC/DC, 48 to 63 Hz.
Consumption	: 25 VA.
Compatibility	
Electromagnetic	: EN 50 0801-1, EN 50 082-2.
Electrical safety	: EN 61010.
Protection	: EN 60529 category 2, IP 54 front face, IP 20 rear panel.
Ambiant temperature	: 0°C to +45°C.
Influence	: 0,03% / K.
Storage temperature	: -20°C to +60°C.
Climatic resistance	: \leq 75% relative humidity without condensation.

OPTIONS

BOARD	: 4 logic input + 3 logic output with RS 232 / RS 485 numerical link, MODBUS® / JBUS® protocol
Software:	: PC interface and RS



CODES AND REFERENCES

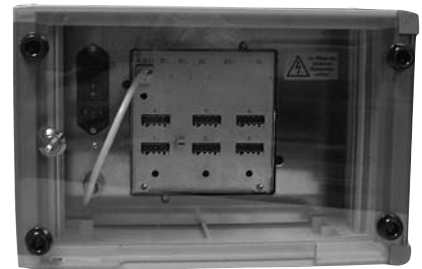
Code	Reference	Designation
212 100	BAMOLOG	Recorder 6 input + Configuration / Exploitation PCA softwares.
212 110	LOG. board	Board 4 logic input + 3 logic output + RS 232 / RS 485 link MODBUS®/JBUS®
212 111	BAMOLOG	Portable unit (mounted)
212 112	Software	Communications server software for PCA
212 113	PC cable	Cable PC interface with TTL / RS 232 converter and adapter.

CHARACTERISTIC

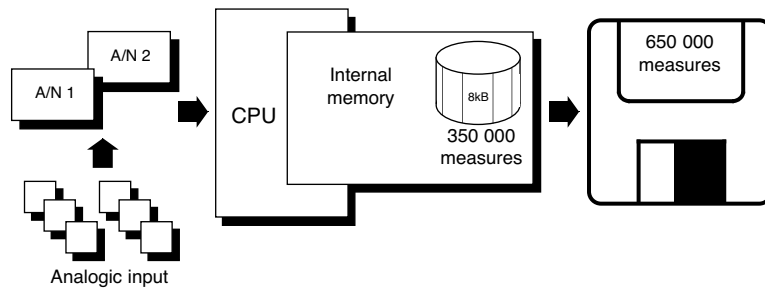
- Analogic input** : V DC INPUT
 Thermocouple
 Probe with resistance
 Short-circuit rupture of the sensor
- Logic input** : (Option) Possibility graphic display (4)
 according to DIN 19240 ; 1 Hz max., 32 V max.
- Output :** (Option) 230 V 3A reverser

PORTABLE UNIT

Bottom view

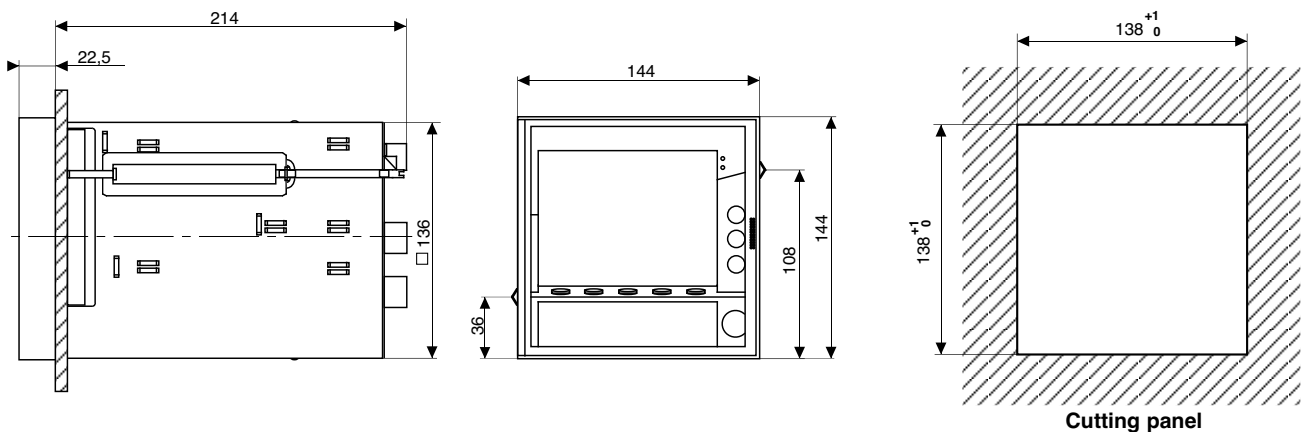


OPERATIONS



S

DIMENSIONS



ACCESSORIE

- Multilanguage software SETUP
- Multilanguage software EXPLOITATION
- Multilanguage software COMMUNICATIONS SERVER
- Specially inputs configuration



22, Rue de la Voie des Bans - Z.I. de la Gare - 95100 ARGENTEUIL
 Tél : (+33) 01 30 25 83 20 - Web : www.bamo.fr
 Fax : (+33) 01 34 10 16 05 - E-mail : info@bamo.fr

10/02/2003

**VIDEO RECORDER
 BAMOLOG**

212 11 01 B

RE

212/2