

# In-line electrode holder for 1 electrode pH or ORP 9240



- Holder for 1 electrode
- Construction: in PVC
- Spigot ends  $\varnothing$  25 mm for solvent welding

## APPLICATIONS

Holder for pH or ORP electrodes to install in line or as a by-pass.

## DESCRIPTION

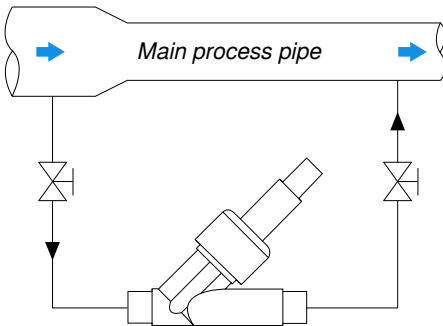
Holder 9240 with suitable electrode allows in-line measurements of pH or ORP under pressure.

Holder is suitable for electrodes with fitting PG 13.5 (see data-sheet 150-01).

For pipes with diameter above 25 mm, the holder has to be inserted on a bypass; a pressure drop may be assumed with a ball-valve (or elbows, or restrictions) to insure a proper flow around the electrode. It is recommended to install valves, upstream and downstream of the bypass, to allow easiest calibration and maintenance routines.

For a direct on-line measurement, see the holders 9400 series (data-sheet 141.01).

Note: An average flow rate limit to respect is max. 500 l/h



Example as a bypass

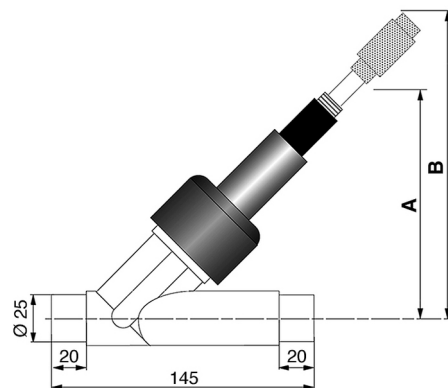
## TECHNICAL FEATURES

|             |  |
|-------------|--|
| Materials   | PVC / Transparent PVC                      |
| Seal        | EPDM                                       |
| Temperature | 0... +50 °C                                |
| Pressure    | Max. 7 bar at 20 °C                        |
| Fittings    | O.D. 25 mm spigot end, for solvent welding |

## CODE NUMBERS AND REFERENCES

| Code    | Reference  | Description                           |
|---------|------------|---------------------------------------|
| 140 600 | 9240 PVC Y | Te Holder for for 1 electrode PG 13.5 |

## DIMENSIONS



With coaxial connector 9054: A = 140 mm  
and B = 280 mm

# BAMO MESURES

22, Rue de la Voie des Bans · Z.I. de la gare · 95100 ARGENTEUIL

Tel +33 (0)1 30 25 83 20 Web [www.bamo.fr](http://www.bamo.fr)

Fax +33 (0)1 34 10 16 05 E-mail [info@bamo.fr](mailto:info@bamo.fr)

In-line electrode holder for 1  
electrode pH or ORP  
**9240**

20-11-2018

D-140.02-EN-AB

pH

140-02/1