

Electrically actuated butterfly valves VEP - INOX



- ND 50 to ND 300
- Maximum operating pressure: PN 6
- In line pattern
- Electric actuator with position index and emergency manual override
- 3 types multi-volt power supply

APPLICATIONS

Electrically actuated butterfly valves are useful to stop the flow of fluids in part of a plant. Opened they do not induce pressure drop. These models are designed for aggressive liquids. Assistance with manual operating for maintenance or emergency operations (*actuator power supply is switched OFF before a manual operating*).

TECHNICAL FEATURES

Valve materials

Body: Epoxy painted cast iron
 Butterfly: Stainless steel 316 (1.4408)
 Seals: EPDM
 Process connections: Between flange (*Wafer*) PN 16 / EN1092-01, NFE 29203
 Maximum pressure: 6 bar (*10/16 on request*)

Electric actuator

Movement: 90°
 Emergency override: Manual with position index
 OPTIONS: *Upon request*



	ND50...ND 65	ND 80...ND 125	ND 150...ND 300
Movement	10...15 s	10...25 s	30...60 s
Protection	IP65	IP65	IP67
Wiring	1 cable gland ISO M20 +1 DIN 43650 plug; 3 wire + earth	2 cable glands ISO M20	2 cable glands ISO M20
Main power input	90...240 V AC 50/60 Hz +/- 90...350 V DC		
	24 V AC 50/60 Hz +/- 24 V DC		15...30 V AC 50/60 Hz +/- 12...48 V DC
Duty rating	30%	30%	50%
Power	15W	45W	45W

CODE NUMBERS AND REFERENCES

	24 V AC +/- 24 V DC	90...240 V AC +/- 90...350 VDC
DN 50	M 1014 201	M 1014 221
DN 65	M 1014 202	M 1014 222
DN 80	M 1014 203	M 1014 223
DN 100	M 1014 204	M 1014 224
DN 125	M 1014 205	M 1014 225
	15...30 V AC +/- 12...48 V DC	
DN 150	M 1014 206	M 1014 226
DN 200	M 1014 207	M 1014 227
DN 250	M 1014 208	M 1014 228
DN 300	M 1014 209	M 1014 229

BAMO MESURES

22, Rue de la Voie des Bans - Z.I. de la Gare - 95100 ARGENTEUIL

Tél : (+33) 01 30 25 83 20 - Web : www.bamo.fr

Fax : (+33) 01 34 10 16 05 - E-mail : info@bamo.fr

Electrically actuated
butterfly valves

VEP - INOX

27-05-2016

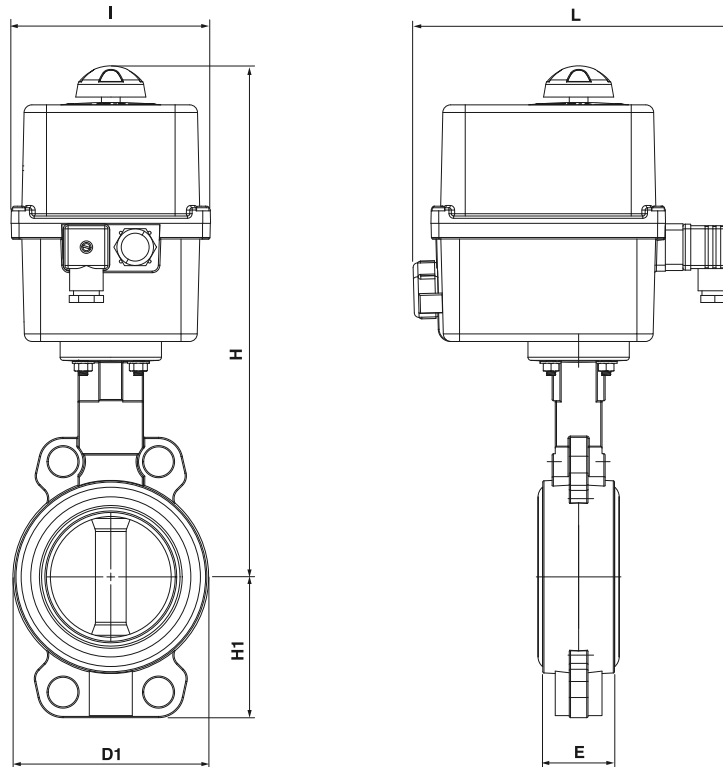
1014 I1 03 D

METAL

1014-03/1

1014

DIMENSIONS



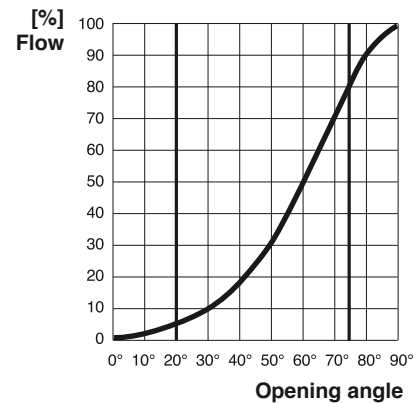
ND	D1	E	I	L	H	H1
50	94	43	92	193	287	63
65	111	46	92	193	302	71.5
80	127	46	128	208	336	91
100	151	52	128	208	356	106
125	180	56	128	208	372	121
150	206	56	128	208	386	133
200	261	60	170	275	498	164
250	318	68	170	275	533	199
300	372	78	170	275	568	233

OPERATING FEATURES

Opening angle / Kv
(Kv= m³/h for 1 bar Δp)

E.g : ND100 50° open → Kv= 115 m³/h

ND	10°	20°	30°	40°	50°	60°	70°	80°	90°
50	—	2	6	12	23	38	65	114	126
65	—	4	10	23	40	70	115	205	228
80	—	6	17	40	70	120	200	350	390
100	1	10	28	65	115	190	320	560	620
125	1	13	40	90	160	260	430	770	860
150	2	26	80	175	310	520	860	1540	1710
200	4	50	155	340	600	1010	1680	3040	3380
250	6	100	300	660	1190	1980	3300	5950	6600
300	8	125	370	820	1480	2460	4100	7370	8190



1014

BAMO MESURES

22, Rue de la Voie des Bans - Z.I. de la Gare - 95100 ARGENTEUIL

Tél : (+33) 01 30 25 83 20 - Web : www.bamo.fr

Fax : (+33) 01 34 10 16 05 - E-mail : info@bamo.fr

Electrically actuated
butterfly valves

VEP - INOX

27-05-2016

1014 I1 03 D

METAL

1014-03/2