

Pneumatically actuated butterfly valves, single / double acting VPP - INOX



- ND 50 à ND 300
- Maximum operating pressure: PN 6
- In line pattern
- Pneumatic actuator:
Single or double acting, Position index
- Status NC or NO
- Standard compatibility:
NAMUR VDI/VDE 3845 and ISO 5211

OPTIONS :

- Limit switch box, pilot valve

APPLICATIONS

Pneumatically actuated butterfly valves are designed to allow / stop the flow of liquids, even chemically aggressive. The options permit automatic operations.

TECHNICAL FEATURES

Valve materials

Body: Epoxy painted cast iron
 Butterfly: Stainless steel 316 (1.4408)
 Seals: EPDM
 Process connections: Between flange (*Wafer*) PN 16 / EN1092-01, NFE 29203
 Maximum pressure: 6 bar (*10/16 on request*)
 Temperature: -20...+80°C

Pneumatic actuator: Single (NO or NC) or double acting
 Control pressure: 6 bar as a maximum
 Connections: 1/4" G

OPTIONS:

- Limit switch box
- Pilot valve: 3/2-way solenoid valve (single effect)
- Pilot valve: 5/2-way solenoid valve (double effect)

CODE NUMBERS AND REFERENCES

ND	Single acting / NC	Single acting / NO	Double acting
DN 50	M 1013 201	M 1013 221	M 1013 241
DN 65	M 1013 202	M 1013 222	M 1013 242
DN 80	M 1013 203	M 1013 223	M 1013 243
DN 100	M 1013 204	M 1013 224	M 1013 244
DN 125	M 1013 205	M 1013 225	M 1013 245
DN 150	M 1013 206	M 1013 226	M 1013 246
DN 200	M 1013 207	M 1013 227	M 1013 247
DN 250	M 1013 208	M 1013 228	M 1013 248
DN 300	M 1013 209	M 1013 229	M 1013 249

BAMO MESURES

22, Rue de la Voie des Bans - Z.I. de la Gare - 95100 ARGENTEUIL

Tél : (+33) 01 30 25 83 20 - Web : www.bamo.fr

Fax : (+33) 01 34 10 16 05 - E-mail : info@bamo.fr

Pneumatically actuated butterfly
valves, single / double acting

VPP - INOX

24-09-2014

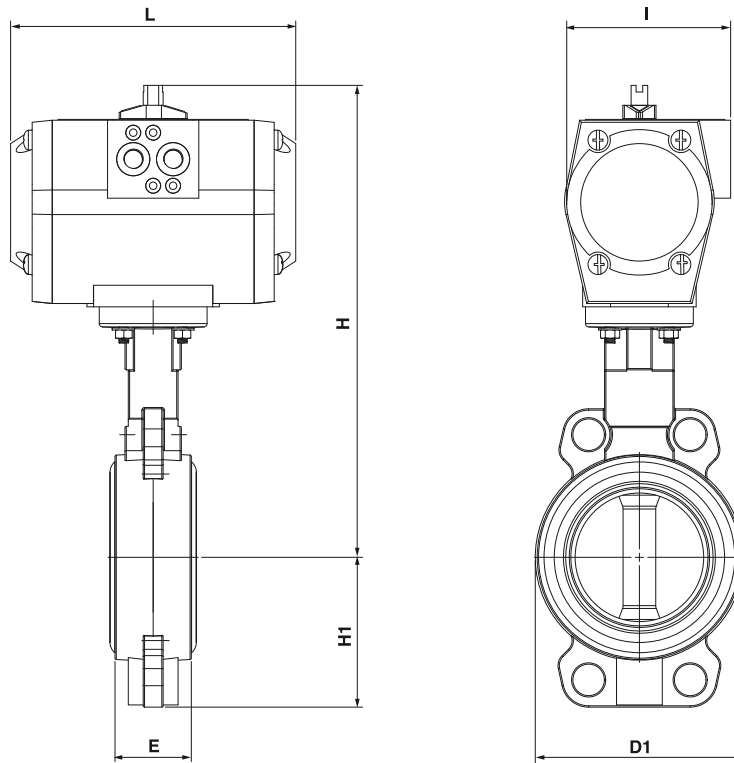
1013 I1 03 B

METAL

1013-03/1

1013

DIMENSIONS



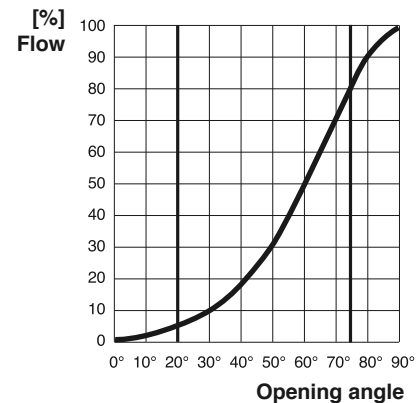
ND	D1	E	H1	Single acting			Double acting		
				I	L	H	I	L	H
50	94	43	63	86	160	246	67	119	226
65	111	46	71.5	101	175	282	86	160	261
80	127	46	91	96	239	303	86	160	271
100	151	52	106	96	239	323	101	175	312
125	180	56	121	113	230	358	101	175	328
150	206	56	133	138	290	406	96	239	353
200	261	60	164	151	351	448	138	246	436
250	318	68	199	185	361	523	151	351	483
300	372	78	233	S/D	S/D	S/D	151	351	518

OPERATING FEATURES

Opening angle / Kv
(Kv= m³/h for 1 bar Δp)

E.g : ND100 50° open → Kv= 115 m³/h

ND	10°	20°	30°	40°	50°	60°	70°	80°	90°
50	–	2	6	12	23	38	65	114	126
65	–	4	10	23	40	70	115	205	228
80	–	6	17	40	70	120	200	350	390
100	1	10	28	65	115	190	320	560	620
125	1	13	40	90	160	260	430	770	860
150	2	26	80	175	310	520	860	1540	1710
200	4	50	155	340	600	1010	1680	3040	3380
250	6	100	300	660	1190	1980	3300	5950	6600
300	8	125	370	820	1480	2460	4100	7370	8190



1013

BAMO MESURES

22, Rue de la Voie des Bans - Z.I. de la Gare - 95100 ARGENTEUIL

Tél : (+33) 01 30 25 83 20 - Web : www.bamo.fr

Fax : (+33) 01 34 10 16 05 - E-mail : info@bamo.fr

Pneumatically actuated butterfly
valves, single / double acting

VPP - INOX

24-09-2014

1013 I1 03 B

METAL

1013-03/2