

# Liquid Intrusion Safety Alarm: LISA Instructions manual

## RIBBON ALIKE LISA-T DETECTOR

**Location:** The detectors may be fitted on any horizontal or vertical surface. Verify that it touches the surface without any spacing.

**NOTE (Interference):** No metallic or electrically conductive object could be in contact with the stainless steel wires inside the ribbon; this avoid step walk on it and location where tools could touch the ribbon when monitoring is performing. The ribbon may not be fit close to a main power supply cable.



Correct



Forbidden

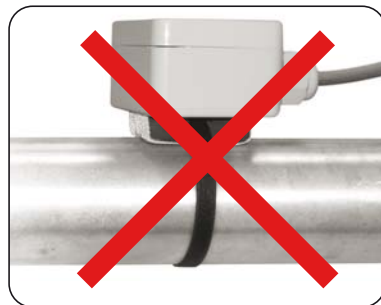
**Fitting:** The use of staples is possible if the staple fits in the centre of the ribbon and does not make a short circuit between the two stainless steel wires. To glue the ribbon on a surface we recommend the PL400 technical glue (one 300 cm<sup>3</sup> refill for approximately 25 m).

## ONE POINT DETECTOR LISA-B

The one point detector may be strapped on a pipe, for a local survey.  
Better to fit it on the lower part of the pipe.



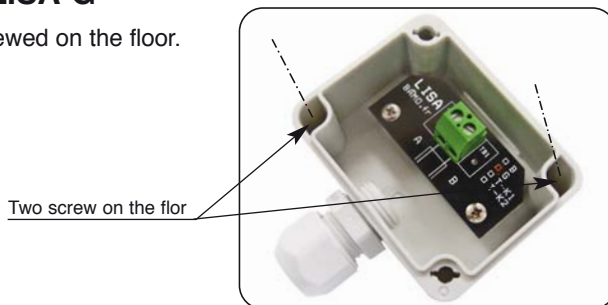
Correct



Not recommended

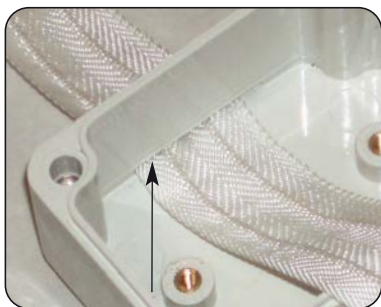
## FLOOR DETECTOR LISA-G

The floor detector may be screwed on the floor.

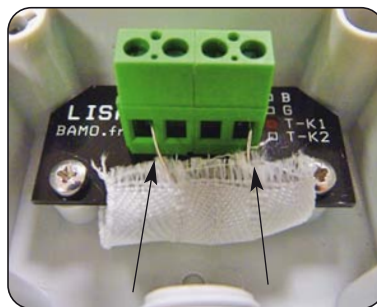


To assure the self diagnostic of the detection loop using the relay ES5000, detectors LISA-B, LISA-G and LISA T-K2 are supplied with a built-in resistor of 680 k $\Omega$

## LINE CONNECTION KITS



- Open the housing
- take off the board
- Pass the ribbon through the slit



- Fit back the board
- Pass the ribbon over the board
- Screw tightly the stainless steel wires

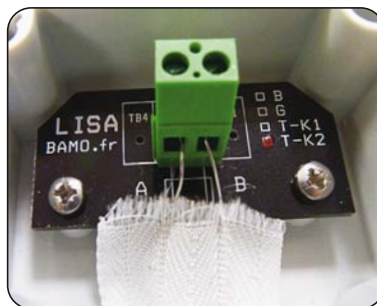
The **LISA-T -K1** kit allows connecting the ribbon to the cable from the relay.

The **LISA-T -K2** kit allows using the self diagnostic of the detection loop using the relay ES5000 when a resistor (680 kΩ) is fitted.



**LISA-T -K1 kit (Starting ribbon line detection)**

- Screw on the cable from the relay on the cantered connectors



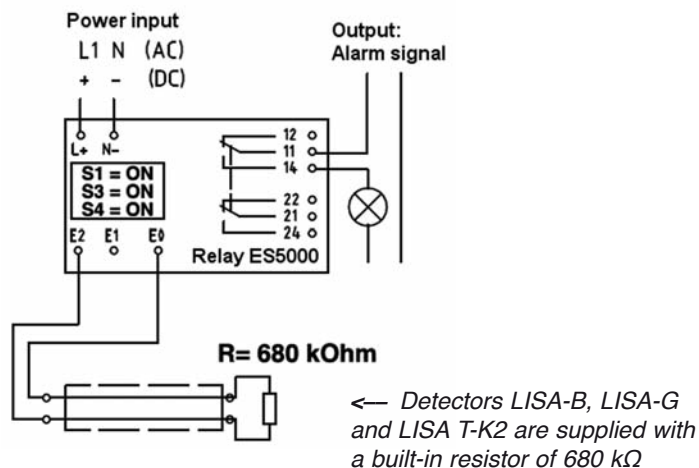
**LISA-T -K2 kit (End of detection line)**

## WIRING



To assure the self diagnostic of the detection loop (short circuit on the loop detection and ribbon sensor break off) using the relay ES5000:

- The total length of the sensor Ribbon alike detector LISA-T, is 50 m as a maximum and
- It could be added an extension cable (2 wires 0.5 mm<sup>2</sup>) of a length of 50 m as a maximum.



## TECHNICAL FEATURES

### Ribbon alike detector LISA-T

Width: 20 mm  
Supplied per roll of 50 m

### One point detector LISA-B

Mass: 50 g  
Dimensions L x W x H: 65 x 50 x 45 mm (cable gland excluded)

### Floor detector LISA-G

Mass: < 50 g  
Dimensions: L x W x H: 65 x 50 x 35 mm (cable gland excluded)

### LISA-T -K1 and LISA-T -K2, kits

Mass: < 50 g  
Dimensions: L x W x H: 65 x 50 x 35 mm (cable gland excluded)