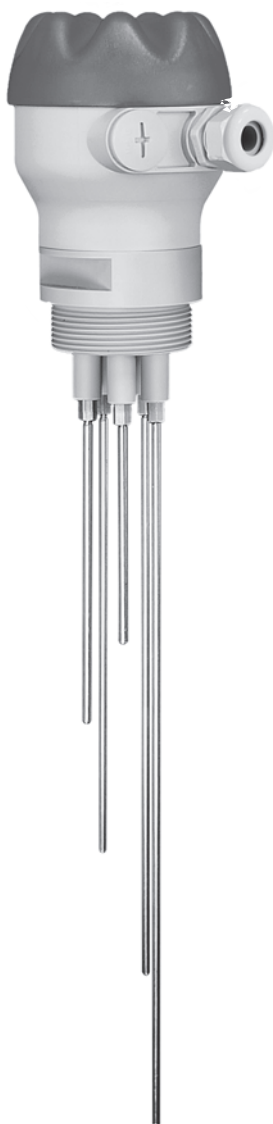


Instructions manual

Resistive level probe STE



PRINCIPLE

Change of electrical resistance between two electrodes when immersed in the conductive fluid switches a contact relay ES 2001.

CAUTION

Conductive limit monitors are not suitable for liquids which contain oil or fat, or in which electrically conductive or insulating deposits may be formed. Preferably install the probe vertically on the top of the tank. As a worst case the device could afford a 45° angle downward with small rods. Check the limits for temperature, pressure and chemical compatibility (*considering as well the vapours*). In case of a moving fluid, check that the electrodes cannot be in contact each others. To avoid any trouble they should be coated.

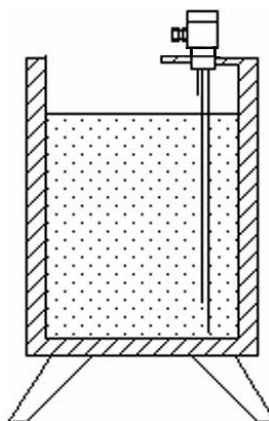
MOUNTING

The probe may be mounted on a fixed support before to fit the cable.

- Open the head housing (*anti-clockwise*); careful not to loose the o-ring seal.
- Unscrew the cable gland (*PG 9 or 11 acc. to model*) to pass the wires through it. Screw it back, water-tight.
- In the head housing, on in each screw connector connect the corresponding wire.
- Once the electrodes are of a correct length, screw them on the bottom of the probe.

Probe fitting:

On a closed tank, the probe is screwed on a connection on the top, before to fit the cable.
On an open tank, the probe is fixed on a plate by screwing a counter nut.
Once the probe is fixed, close the head housing.



MAINTENANCE

The device is maintenance-free if used for its intended purpose. It is necessary to prevent a bad surprise by checking time to time the aspect of the system. When a signal trouble occurs, verify the rods, the wires and the relay (*using a multi-meter*).

BAMO MESURES

22, Rue de la Voie des Bans - Z.I. de la Gare - 95100 ARGENTEUIL

Tél : (+33) 01 30 25 83 20 - Web : www.bamo.fr

Fax : (+33) 01 34 10 16 05 - E-mail : info@bamo.fr

Resistive level probes
STE

04-12-2013

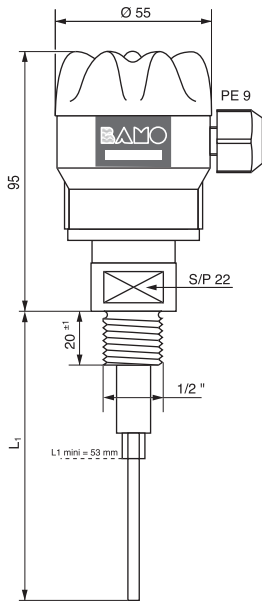
540 M1 01 E

MES

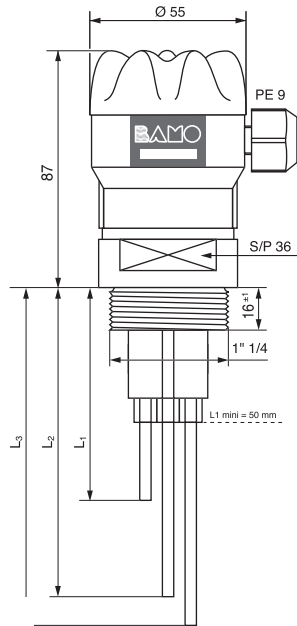
540-01

DIMENSIONS

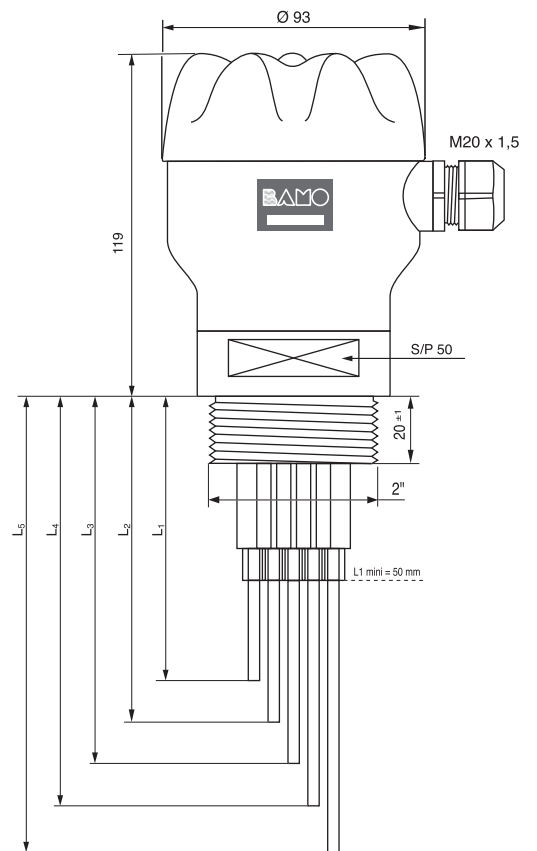
STE / A / ...



STE / Z / ... et STE / D / ...



STE / V / ... et STE / F / ...



TECHNICAL FEATURES

PROBES STE...

Temperature limit:	100°C
Pressure limits:	6 bar at 20°C (1 bar at 100°C)
Process connection:	Thread and material according to the model
Media:	Electrically conductive liquids
Electrodes:	Stainless steel 316 or Titanium

Automation: **ES2001 relay**