

In-line insertion probe, pH electrode holder 9400

pH or ORP electrode holder
Hot tap in-line insertion probe
Under pressure

Type: 9423, 9424



INSTRUCTION MANUAL

BAMO MESURES

22, Rue de la Voie des Bans - Z.I. de la Gare - 95100 ARGENTEUIL
Tél : (+33) 01 30 25 83 20 - Web : www.bamo.fr
Fax : (+33) 01 34 10 16 05 - E-mail : info@bamo.fr

pH or ORP electrode holder
Hot tap in-line insertion probe
9423 & 9424

11-12-2013

141 M1 01 B

MES

141-01/1

DESCRIPTION

The hot tap in-line insertion probe 9423 or 9424 holds one pH or one ORP electrode.

There are specially adapted for electrode of 110 to 125 mm, with mechanical connection PG 13.5.

Its particular design allows a safe mounting or dismounting of the electrode, under pressure, that means without any process shut off.

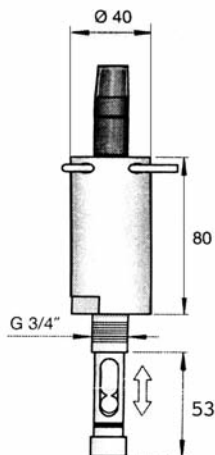
TECHNICAL FEATURES

Type: 9423

Wetted parts: PPH
 O-rings: FPM
 Temperature limit: 50°C (up to 5 bar)
 Pressure limit: 5 bar (up to 50°C)
 Process connection: BSP 3/4"

Type: 9424

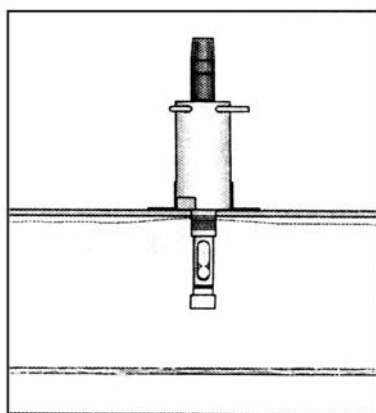
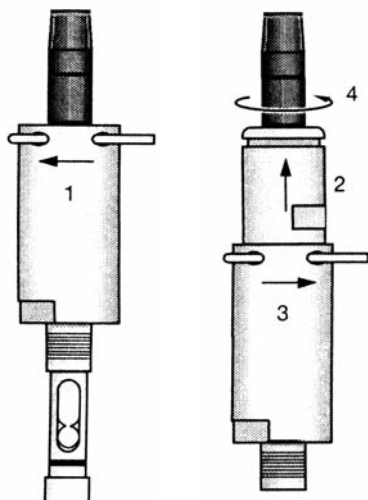
Wetted parts: PVDF
 O-rings: FPM
 Temperature limit: 100°C (up to 5 bar)
 Pressure limit: 5 bar (up to 100°C)
 Process connection: BSP 3/4"



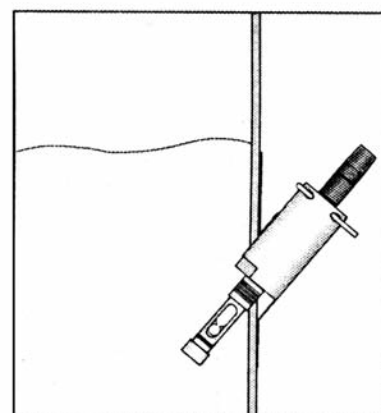
CODE NUMBERS

Code	Designation
141 425	pH electrode holder 9423 PP In-line insertion probe
141 426	pH electrode holder 9424 PVDF In-line insertion probe

MOUNTING



In-line mounting



Side wall mounting