

WATER JET PUMP SP 957



- From DN 10 to DN 80
- To pump, mixt and vacuum
- Vacuum until 3 meters
- Driving fluid: water
- Vacuumed fluid: liquids or gas
- Construction: PVC, PPH, PVDF

PRINCIPLE

Driving liquid, which comes in main flow direction out of the nozzle installed in the water-jet pump, is accelerated by the diameter reduction of the nozzle. This acceleration causes low pressure at the suction spigot end sucking liquids or gaseous media.

The suction volume is a function of the driving liquid pressure and the nozzle bore.

Water jet pump is used for:

- Pumping
- Mixing
- Vacuum production

Driving fluid flow is depending on nozzle hole diameter.

Vacuumed fluid flow is depending on:

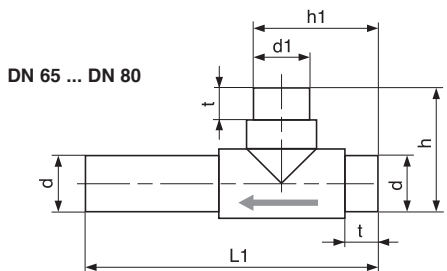
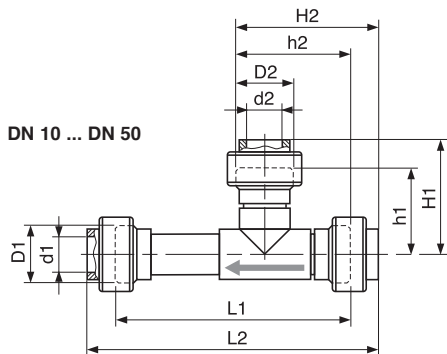
- Driving fluid flow
- Jet pump outlet pressure (counter pressure)
- Vacuumed liquid density
- Height of liquid charge or vacuum

Vacuum production is depending on driving fluid pressure/flow.

USING

Jet pump choice must be done from diagram including different uppers data. Jet pump is delivered undrilled nozzle. Setting must be done successive drilling until good diameter.

A set of diagram pressure/hole/flow, for water/water or air /water, is at your disposal.



CODES NUMBER & DIMENSIONS

Type	Code PVC	Code PPH	Code PVDF	DN	d	D1	L1	h1	H1	d2	D2	L2	h2	H2	h
P20 10	957 001	957 101	957 201	10	16	3/4"	110	35	54	16	3/4"	147	40	59	35
P20 15	957 002	957 102	957 202	15	20	1"	125	35	55	20	3/4"	170	38	60	35
P20 20	957 003	957 103	957 203	20	25	1"1/4	145	40	59	25	3/4"	195	45	70	45
P20 25	957 004	957 104	957 204	25	32	1"1/2	195	71	96	32	1"1/2	245	71	96	71
P20 32	957 005	957 105	957 205	32	40	2"	239	87	116	40	2"	297	87	116	87
P20 40	957 006	957 106	957 206	40	50	2"1/4	301	105	139	50	2"1/4	369	105	139	105
P20 50	957 007	957 107	957 207	50	63	2"3/4	351	128	169	63	2"3/4	433	128	169	128
P20 65*	957 008*	957 108*	957 208*	65	75	3"1/2	388	128	175	75	3"1/2	x	128	175	115
P20 80*	957 009*	957 109*	957 209*	80	90	4"	466	150	206	90	4"	x	150	206	149

* Jet pump size DN 65 and DN 80 have male spigot ends.

BAMO MESURES

22, Rue de la Voie des Bans - Z.I. de la Gare - 95100 ARGENTEUIL
Tél : (+33) 01 30 25 83 20 - Web : www.bamo.fr
Fax : (+33) 01 34 10 16 05 - E-mail : info@bamo.fr

**WATER JET PUMP
SP 957**

02-01-2013

957 I1 02 B

PLAS

957-02/1