

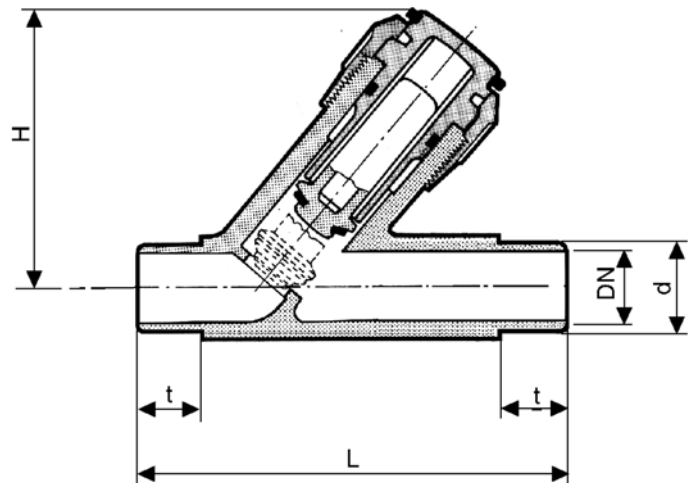
# ANGLE SEAT CHECK VALVE PVC



- One-way fluids circulation
- Possible maintenance without disassembling
- Connection by spigot ends to be stuck
- Materials    Body : PVC  
                  Seals : EPDM  
                                  FPM (on request)  
                  Piston : PVC

## ARTICLES NUMBER & DIMENSIONS

male spigot ends							
TYPE	PVC	d	DN	PN	H	t	L
CARSI-P10-M	P54 244	16	10	16	72	14	114
CARSI-P15-M	P54 245	20	15	16	72	16	124
CARSI-P20-M	P54 246	25	20	16	84	19	144
CARSI-P25-M	P54 247	32	25	16	95	22	154
CARSI-P32-M	P54 248	40	32	10	110	26	174
CARSI-P40-M	P54 249	50	40	10	120	31	194
CARSI-P50-M	P54 250	63	50	10	139	38	224



951

**BAMO MESURES**

13, rue Pasteur - 95 100 ARGENTEUIL - FRANCE  
Tél : (+33) 01 30 25 83 20 - E-mail : info@bamo.fr  
Fax : (+33) 01 34 10 16 05 - Site : http://www.bamo.fr

ANGLE SEAT CHECK VALVE  
PVC

09/01/2003

9511101C

PLAS

951/1