

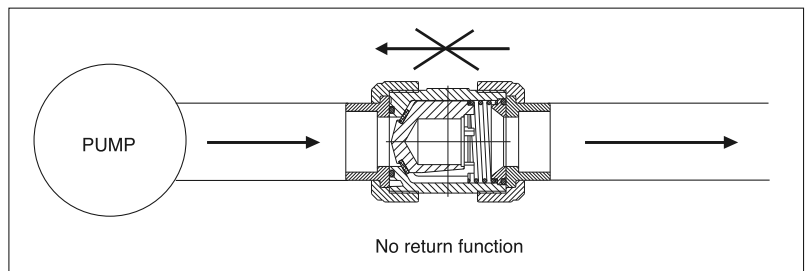
Cone check valves SV 91 - SV 95



- Materials PVC, PPH / seals FPM
- From DN 10 to DN 100
- SV 91 with free cone
- SV 95 with PTFE coated spring actuated cone

APPLICATIONS

The cone check valves without spring SV 91 and with spring SV 95 can be used in no-return horizontally with and vertically with upward fluid.



MATERIALS

- Body: PVC or PPH or PVDF on request
Sealing: FPM or EPDM on request
- Cone: PVC or PPH or PVDF on request, (same as body material)
open 0.025 bar
- Spring: 1.4401 stainless steel, PTFE coated
minimum hold pressure 0.06 bar
- Fitting: PVC solvent sockets – PPH fusion sockets

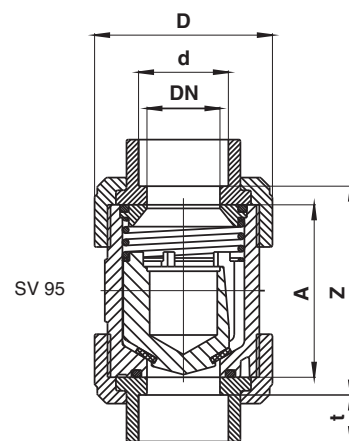
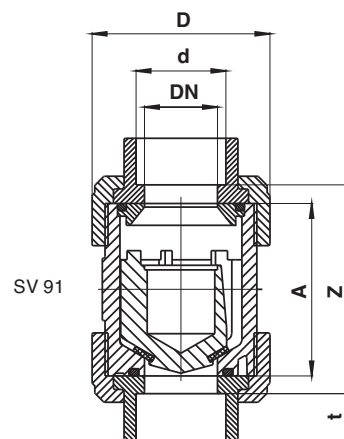
DIMENSIONS

DN	10	15	20	25	32	40	50	65	80	80
d	16	20	25	32	40	50	63	75	90	110
G	3/8"	1/2"	3/4"	1"	1 1/4"	1 1/2"	2"	2 1/2"	3"	4"
L	114.0	124.0	144.0	154.0	174.0	194.0	224.0	284.0	300.0	340.0
L1	120.0	130.0	150.0	160.0	180.0	200.0	230.0	290.0	310.0	350.0
A	62.0	62.0	70.0	74.0	84.0	95.0	109.0	137.0	163.0	163.0
Z	67.5	67.5	76.0	81.0	90.0	104.0	121.0	148.0	183.0	176.0
t	16.5	16.5	19.5	22.5	26.5	31.5	38.5	45.0	55.5	64.0
D	53.0	53.0	63.0	70.0	85.0	101.0	121.5	155.0	188.0	188.0
PN	16	16	16	16	16	16	16	16	10	6

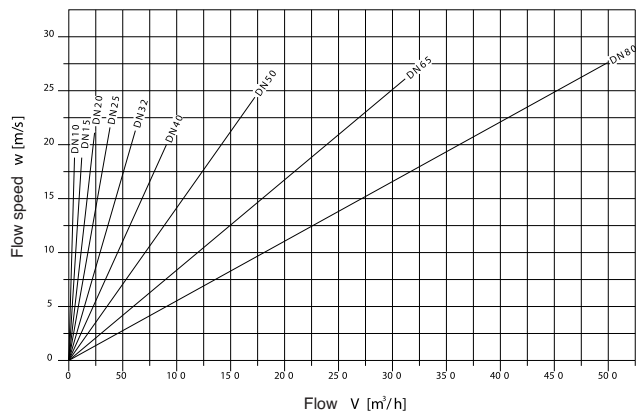
CODES NUMBERS AND REFERENCES

SV 91 PVC body / FPM sealing (without spring)		SV 91 Corps PPH / joint FPM (without spring)	
Code	Reference	Code	Reference
949 101	SV 91 PVC/FPM - DN 10	949 111	SV 91 PPH/FPM - DN 10
949 102	SV 91 PVC/FPM - DN 15	949 112	SV 91 PPH/FPM - DN 15
949 103	SV 91 PVC/FPM - DN 20	949 113	SV 91 PPH/FPM - DN 20
949 104	SV 91 PVC/FPM - DN 25	949 114	SV 91 PPH/FPM - DN 25
949 105	SV 91 PVC/FPM - DN 32	949 115	SV 91 PPH/FPM - DN 32
949 106	SV 91 PVC/FPM - DN 40	949 116	SV 91 PPH/FPM - DN 40
949 107	SV 91 PVC/FPM - DN 50	949 117	SV 91 PPH/FPM - DN 50
949 108	SV 91 PVC/FPM - DN 65	949 118	SV 91 PPH/FPM - DN 65
949 109	SV 91 PVC/FPM - DN 80	949 119	SV 91 PPH/FPM - DN 80
949 110	SV 91 PVC/FPM - DN 100	949 120	SV 91 PPH/FPM - DN 100

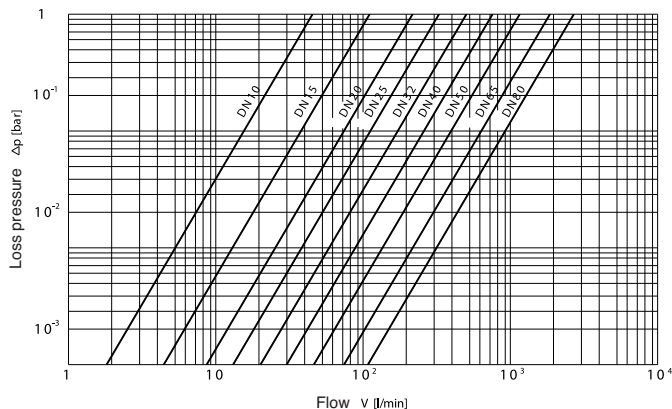
SV 95 PVC body / FPM sealing with PTFE coated stainless steel spring		SV 95 PPH body / FPM sealing with PTFE coated stainless steel spring	
Code	Reference	Code	Reference
949 001	SV 95 PVC/FPM - DN 10	949 011	SV 95 PPH/FPM - DN 10
949 002	SV 95 PVC/FPM - DN 15	949 012	SV 95 PPH/FPM - DN 15
949 003	SV 95 PVC/FPM - DN 20	949 013	SV 95 PPH/FPM - DN 20
949 004	SV 95 PVC/FPM - DN 25	949 014	SV 95 PPH/FPM - DN 25
949 005	SV 95 PVC/FPM - DN 32	949 015	SV 95 PPH/FPM - DN 32
949 006	SV 95 PVC/FPM - DN 40	949 016	SV 95 PPH/FPM - DN 40
949 007	SV 95 PVC/FPM - DN 50	949 017	SV 95 PPH/FPM - DN 50
949 008	SV 95 PVC/FPM - DN 65	949 018	SV 95 PPH/FPM - DN 65
949 009	SV 95 PVC/FPM - DN 80	949 019	SV 95 PPH/FPM - DN 80
949 010	SV 95 PVC/FPM - DN 100	949 020	SV 95 PPH/FPM - DN 100



Air diagramm (SV 91)



Loss pressure diagramm (SV 95)



BAMO MESURES

22, Rue de la Voie des Bans - Z.I. de la Gare - 95100 ARGENTEUIL

Tél : (+33) 01 30 25 83 20 - Web : www.bamo.fr

Fax : (+33) 01 34 10 16 05 - E-mail : info@bamo.fr

Cone check valves
SV 91- SV 95

26-04-2013

949 I1 01 D

PLAS

949-01/2