

Pneumatically actuated butterfly valves, single / double acting VPP K4-PPH



- ND 65 to ND 200
- In-line pattern
- Pneumatic actuator
Single or double acting, Position index
- Status NC or NO
- Standard compatibility:
NAMUR VDI/VDE 3845 and ISO 5211

OPTIONS

- Limit switch box
- Pilot valve

APPLICATIONS

Pneumatically actuated butterfly valves are designed to allow / stop the flow of liquids, even chemically aggressive. The options permit automatic operations.

TECHNICAL FEATURES

Valve materials

Body: GF PP
 Butterfly: PPH
 Seals: EPDM or FPM
 Process connections: Between flange (Wafer)
 Pressure: 10 bar as maxima

Pneumatic actuator Single (NO or NC) or double acting
 Control pressure: 6 bar as a minimum, 8 bar as a maximum
 Connections: 1/4" G

OPTIONS

- Limit switch box
- Pilot valve: 3/2-way solenoid valve (*single effect*)
- Pilot valve: 5/2-way solenoid valve (*double effect*)

CODE NUMBERS AND REFERENCES

d	ND	Single effect / NC		Single effect / NO		Double effect	
		EPDM seals	FPM seals	EPDM seals	FPM seals	EPDM seals	FPM seals
75	65	913 445	913 450	913 455	913 460	913 465	913 470
90	80	913 446	913 451	913 456	913 461	913 466	913 471
110	100	913 447	913 452	913 457	913 462	913 467	913 472
160	150	913 448	913 453	913 458	913 463	913 468	913 473
225	200	913 449	913 454	913 459	913 464	913 469	913 474

BAMO MESURES

22, Rue de la Voie des Bans - Z.I. de la Gare - 95100 ARGENTEUIL
 Tél : (+33) 01 30 25 83 20 - Web : www.bamo.fr
 Fax : (+33) 01 34 10 16 05 - E-mail : info@bamo.fr

Pneumatically actuated
 butterfly valves
VPP K4-PPH

08-04-2014

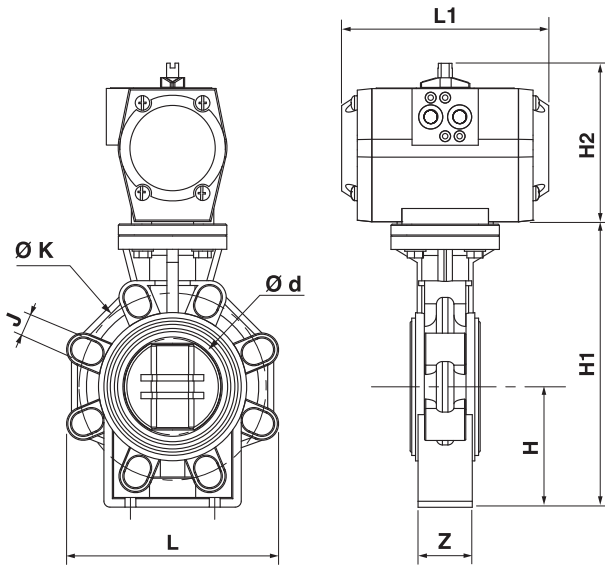
913 I1 06 B

PLAS

913-06/1

913

DIMENSIONS



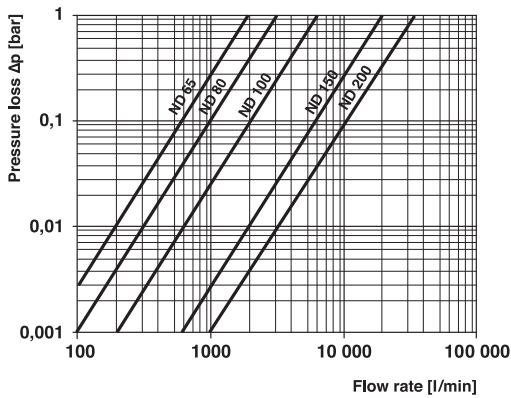
ND	d	H	H1	H2	L	L1	Z	K	J
65	75	100	232	111	133	160	46	127 / 145	19
80	90	100	239	133	176	175	49	146 / 160	19
100	110	115	269	143	206	230	56	175 / 190.5	19
150	160	148	333	162	261	239	70	234.5 / 241.5	23
200	225	175	395	196	314	246	71	290 / 298.5	23

Mounting flange torques

ND	65	80	100	150	200
Nm	15	18	20	40	55

OPERATING FEATURES

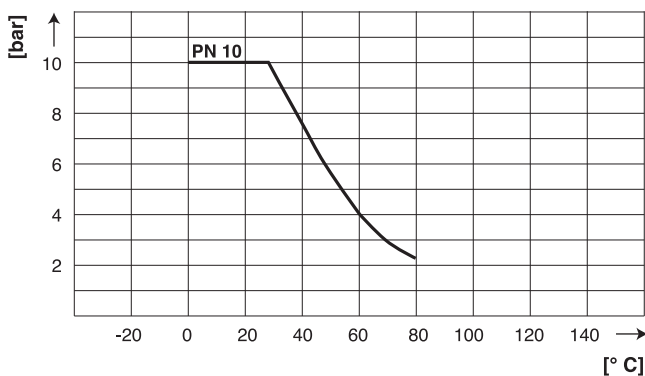
Pressure loss vs. Flow diagram [water at 20°C]



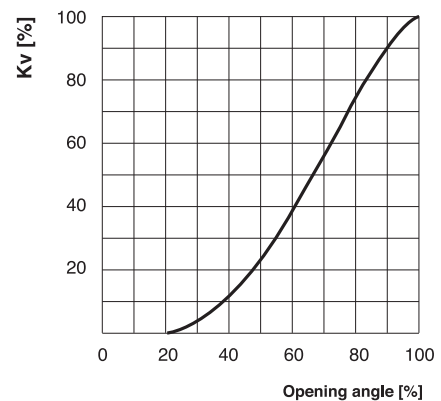
Kv value table

	Pressure loss	
	1 bar	0.001 bar
ND 65	1900 l/min	60 l/min
ND 80	3100 l/min	100 l/min
ND 100	6000 l/min	190 l/min
ND 150	19000 l/min	600 l/min
ND 200	35000 l/min	1100 l/min

Pressure vs. temperature diagram



Flow characteristic



BAMO MESURES

22, Rue de la Voie des Bans - Z.I. de la Gare - 95100 ARGENTEUIL

Tél : (+33) 01 30 25 83 20 - Web : www.bamo.fr

Fax : (+33) 01 34 10 16 05 - E-mail : info@bamo.fr

Pneumatically actuated
butterfly valves

VPP K4-PPH

08-04-2014

913 I1 06 B

PLAS

913-06/2