

# Pneumatically actuated 2-way ball valves, single / double acting VP2V S4-PPH



- ND 10 to ND 100
- In-line pattern
- Pneumatic actuator  
Single or double acting, Position index
- Status NC or NO
- Standard compatibility:  
NAMUR VDI/VDE 3845 and ISO 5211

## OPTIONS :

- Limit switch box
- Pilot valve

## APPLICATIONS

Pneumatically actuated 2-way ball valves are designed to allow / stop the flow of liquids, even chemically aggressive. The options permit automatic operations.

## TECHNICAL FEATURES

### Valve materials

Body: PPH  
 Seals: EPDM or FPM  
 Ball: PPH  
 Ball seating joints: PTFE  
 Process connections: Unions (solvent sockets)  
 Pressure: 5 bar (ND 80...100), 6 bar (ND 65),  
 10 bar (DN 10...50), as maxima

**Pneumatic actuator** Single (NO or NC) or double acting  
 Control pressure: 6 bar as a minimum, 8 bar as a maximum  
 Connections: 1/4" G

OPTIONS:

- Limit switch box
- Pilot valve: 3/2-way solenoid valve (single effect)
- Pilot valve: 5/2-way solenoid valve (double effect)

## CODE NUMBERS AND REFERENCES

d	ND	Single effect / NC		Single effect / NO		Double effect	
		EPDM seals	FPM seals	EPDM seals	FPM seals	EPDM seals	FPM seals
16	10	913 301	913 311	913 321	913 331	913 341	913 351
20	15	913 302	913 312	913 322	913 332	913 342	913 352
25	20	913 303	913 313	913 323	913 333	913 343	913 353
32	25	913 304	913 314	913 324	913 334	913 344	913 354
40	32	913 305	913 315	913 325	913 335	913 345	913 355
50	40	913 306	913 316	913 326	913 336	913 346	913 356
63	50	913 307	913 317	913 327	913 337	913 347	913 357
75	65	913 308	913 318	913 328	913 338	913 348	913 358
90	80	913 309	913 319	913 329	913 339	913 349	913 359
110	100	913 310	913 320	913 330	913 340	913 350	913 360

**BAMO MESURES**

22, Rue de la Voie des Bans - Z.I. de la Gare - 95100 ARGENTEUIL  
 Tél : (+33) 01 30 25 83 20 - Web : [www.bamo.fr](http://www.bamo.fr)  
 Fax : (+33) 01 34 10 16 05 - E-mail : [info@bamo.fr](mailto:info@bamo.fr)

Pneumatically actuated 2-way  
ball valves

**VP2V S4-PPH**

14-03-2014

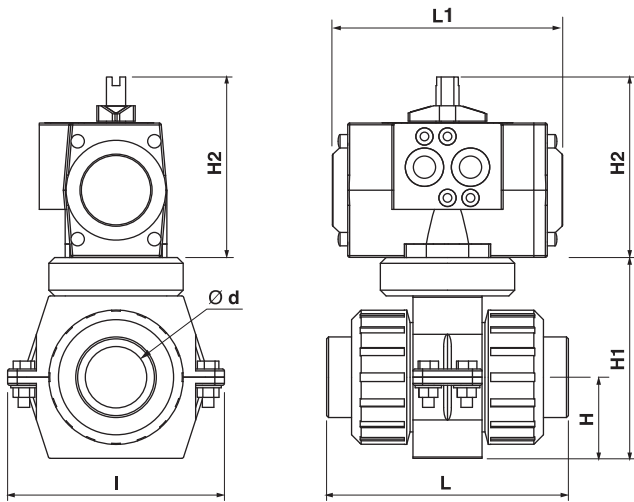
913 I1 04 C

**PLAS**

**913-04/1**

**913**

## DIMENSIONS



## Double effect

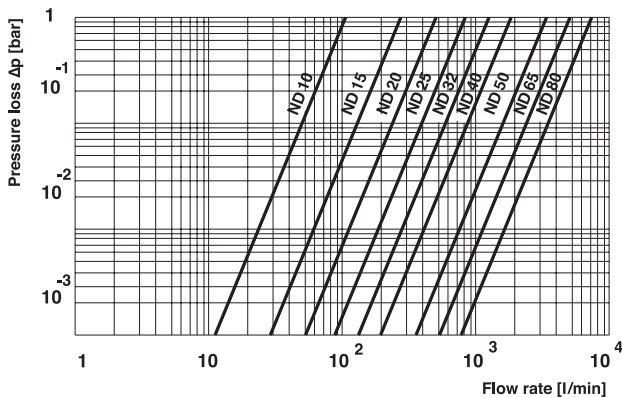
ND	d	H	H1	H2	L	L1	I
10	16	33	86	91	100	119	113
15	20	33	86	91	99.5	119	113
20	25	40	100	91	113	119	113
25	32	43	106	91	123	119	113
32	40	51	130	91	140	119	144
40	50	56	155	112	164	160	144
50	63	64	168	112	192	160	144
65	75	85	230	112	231	160	204
80	90	100	260	132	285	175	204
100	110	100	260	132	295	175	204

## Single effect

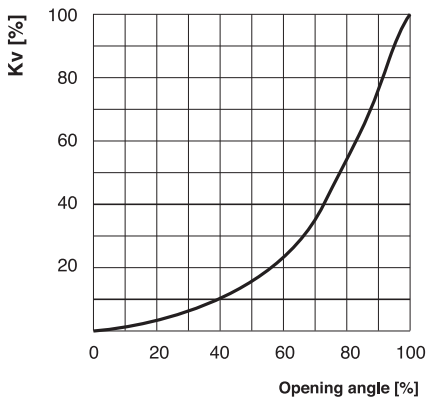
ND	d	H	H1	H2	L	L1	I
10	16	33	86	91	100	119	113
15	20	33	86	91	99.5	119	113
20	25	40	100	91	113	119	113
25	32	43	106	112	123	160	113
32	40	51	130	112	140	160	144
40	50	56	155	112	164	160	144
50	63	64	168	132.5	192	175	144
65	75	85	230	132.5	231	175	204
80	90	100	260	112	285	239	204
100	110	100	260	112	295	239	204

## OPERATING FEATURES

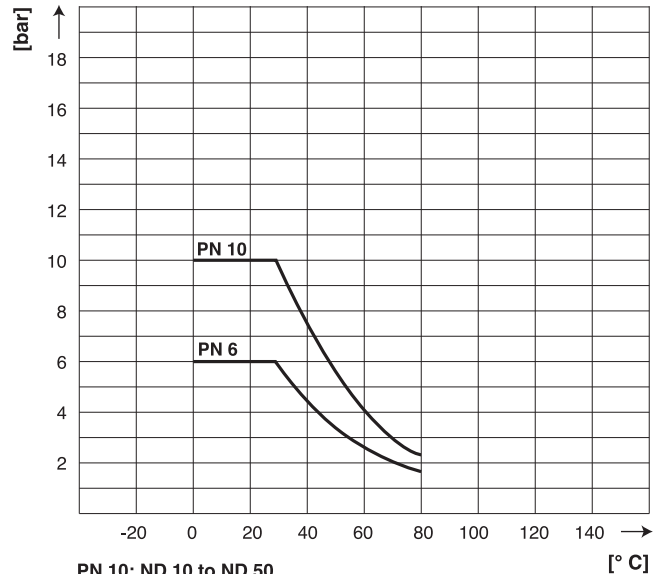
Pressure loss vs. Flow diagram [water at 20°C]



Flow characteristic



Pressure vs. temperature diagram



PN 10: ND 10 to ND 50

PN 6: ND 65 to ND 100

Kv value table

	Pressure loss	
	1 bar	0.001 bar
ND 10	107 l/min	3.4 l/min
ND 15	278 l/min	8.8 l/min
ND 20	509 l/min	16.1 l/min
ND 25	843 l/min	26.7 l/min
ND 32	1269 l/min	40.1 l/min
ND 40	1858 l/min	58.7 l/min
ND 50	3424 l/min	110 l/min
ND 65	5133 l/min	165 l/min
ND 80	7455 l/min	240 l/min

# BAMO MESURES

22, Rue de la Voie des Bans - Z.I. de la Gare - 95100 ARGENTEUIL

Tél : (+33) 01 30 25 83 20 - Web : [www.bamo.fr](http://www.bamo.fr)

Fax : (+33) 01 34 10 16 05 - E-mail : [info@bamo.fr](mailto:info@bamo.fr)

Pneumatically actuated 2-way ball valves

## VP2V S4-PPH

14-03-2014

913.I1.04.C

## PLAS

913-04/2