

Diaphragm seal DS 445



APPLICATIONS

Specifically designed to protect the pressure sensing element from corroding. Typical applications are paint and agriculture spraying equipment.

SCALE RANGES

-1...0 to 0...60 bar

TECHNICAL FEATURES

UPPER PART

Stainless steel AISI 316

DIAPHRAGM

AISI 316

PROCESS CONNECTION

1/4" or 1/2" BSP-M or NPT-M

1/4", 1/2" ou 3/4" NPT-F

INSTRUMENT CONNECTION

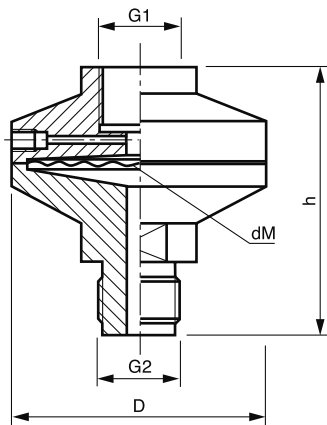
1/4" or 1/2" BSP-F

FILLING FLUID

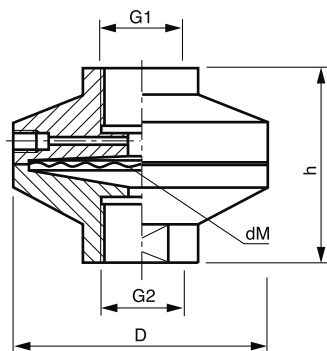
Silicon oil (-60°C / +250°C)

OPTIONAL

Silicon oil (+20°C / +300°C) – Oil for Food industry



G2	dM	D	h	G1
1/4" BSP-M	59	62	66	1/4" BSP-F
1/4" NPT-M	59	62	66	1/4" BSP-F
1/2" BSP-M	59	62	70	1/2" BSP-F
1/2" NPT-M	59	62	70	1/2" BSP-F

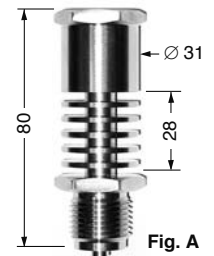


G2	dM	D	h	G1
1/4" NPT-F	59	62	51	1/4" BSP-F
1/2" NPT-F	59	62	60	1/2" BSP-F

(dM = Effective diaphragm diameter)

ARTICLE NUMBERS

- | | | |
|---------------------------------|--|--|
| (1) Type | DS 445 | |
| (2) Instrument connection | 3F 1/4" BSP - F | |
| | 8F 1/2" BSP - F | |
| (3) Process connection | 2 1/4" NPT - M | |
| | 3 1/4" BSP - M | |
| | 7F 1/2" NPT - F | |
| | 2F 1/4" NPT - F | |
| | 7 1/2" NPT - M | |
| | 8 1/2" BSP - M | |
| (4) Process connection material | 60 AISI 316 stainless steel | |
| (5) Diaphragm material | MA AISI 316 stainless steel | |
| (6) Diaphragm dimension | 59 -1...0 to 0...60 bar | |
| (7) OPTIONAL | H550 Silicon oil (max. 350°C) | |
| | M152 Oil for Food industry (FDA compliance) | |
| | V50 Silicon oil (-60 / +250°C) | |
| | RD Cooling accessory | |



Example: (1) **DS445** (2) **8F** (3) **7** (4) **60** (5) **MA** (6) **59** (7) **M152**

Cooling accessory (Fig.A): It allows the transmitter to operate with hot fluids, non-aggressive and non-crystallising.
316 L stainless steel design – Process / instrument: 1/2" BSP male or female, (other on request)

BAMO MESURES

22, Rue de la Voie des Bans - Z.I. de la Gare - 95100 ARGENTEUIL

Tel : (+33) 01 30 25 83 20 - Web : www.bamo.fr

Fax : (+33) 01 34 10 16 05 - E-mail : info@bamo.fr

Diaphragm seal DS 445

14-02-2013

812.11 22 A

PR

812-22/1