

# Pressure transmitter Industry series



- Heavy duty service
- Output signal: 4-20 mA (0...5V & 0...10 V on request)
- Accuracy 0.5% (0.25% on request)
- Scales from -1 bar to 1 000 bar

## DESCRIPTION

Accuracy, reliability, corrosion resistance and vibration level acceptance allow the use of these high performance transmitters in environments of factories, workshop, development laboratories.

Scale ranges are in conformity with EN standard. Body and wetted parts are in stainless steel for chemical compatibilities. Two potentiometers allow zero and span adjustments in case of extreme measuring conditions (like with hydrostatic column). CE Mark: In accordance with EMC directives (EN 61326 – electronic magnetic compatibility).

## TECHNICAL FEATURES

Ranges:	Relative or absolute pressures (table on next page)
Process connection:	1/2" MG - DIN 16 288
Output signal:	4...20 mA – 2 wire (on request. 3 wire: 0...5 V DC; 0...10 V DC)
Sensor:	Piezo-resistive
Repeatability:	≤ ±0.05 % F.S.
Accuracy:	±0.5 % F.S. (on request: ±0.25 % F.S.)
Stability per annum:	≤ ±0.2 % F.S.
Overload limit:	≤ 16 bar: x 3.5 ; ≤ 600 bar: x 2 ; > 600 bar: x 1.5 (x range max. value)
Electrical connection:	Plug DIN 43 650
Body:	Stainless steel
Power supply:	10...30 V DC
Power consumption:	Current output 4...0 mA / signal currency Current output 0...20 mA / signal currency + 4 mA Voltage output / 8 mA

## LOAD

Current output 0/4...20 mA:	Load = [ (UB -12 V) / 0.020 A ]
Voltage output 0...5 V DC:	Load > 5 kOhm
Voltage output 0...10 V DC:	Load > 10 kOhm

Temperature compensation:	0...80 °C
Temperature influence:	On zero point: ± 0.2 % /10 K ≤ ± 0.4 % / 10 K for scales 0...0.1 & 0...0.16 bar ± 0.2 % /10 K
On measuring range:	± 0.2 % /10 K
Adjustments:	Zero & span within ± 10 %
Response time:	≤ 1 ms within 10 to 90 % F.S.
Protection:	IP 65 - EN 60 529 / IEC 529 (Connector. IP 67)
Electrical protection:	Polarity overload and short circuit
Temperature limits:	Ambient -20...+80 °C
Medium:	-30 ... +100 °C (on request: -20...+125 °C)
Masse:	0.2 Kg
CE Mark:	EMC directives (EN 61326) Pressure equipment directives 97/23/EC

# BAMO MESURES

22, Rue de la Voie des Bans - Z.I. de la Gare - 95100 ARGENTEUIL  
Tél : (+33) 01 30 25 83 20 - Web : [www.bamo.fr](http://www.bamo.fr)  
Fax : (+33) 01 34 10 16 05 - E-mail : [info@bamo.fr](mailto:info@bamo.fr)

Pressure transmitter  
Industry series

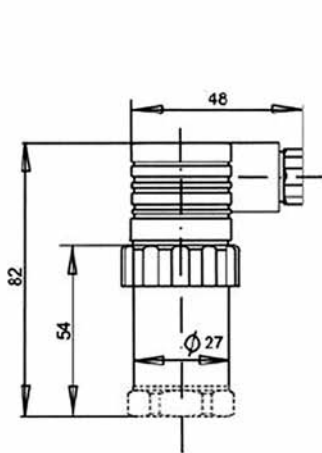
01-09-2014

805 I1 02 B

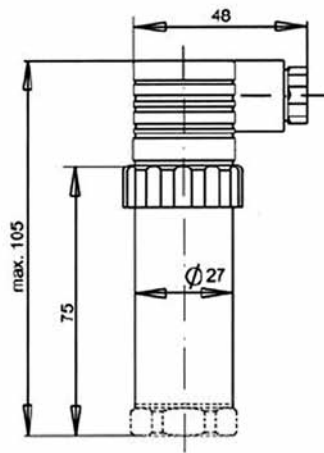
PR

805-02/1

## DIMENSIONS



Accuracy 0.5%



Option: Accuracy 0.25%



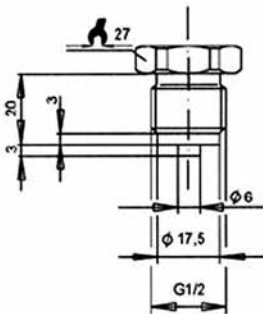
Option:  
Output cable version

## MEASURING SCALES

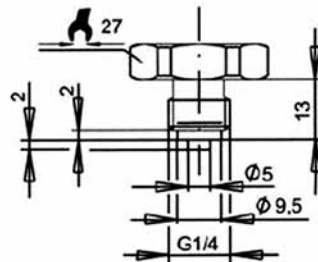
-0.1... 0	bar
-0.16... 0	bar
-0.25... 0	bar
-0.4... 0	bar
-0.6... 0	bar
-1... 0	bar
-1... 0... +1.5	bar
-1... 0... +5	bar
0... 0.1	bar
0... 0.16	bar
0... 0.25	bar
0... 0.4	bar
0... 0.6	bar
0... 1	bar
0... 1.6	bar
0... 2.5	bar
0... 4	bar
0... 6	bar
0... 10	bar
0... 16	bar
0... 25	bar
0... 40	bar
0... 60	bar
0... 100	bar
0... 160	bar
0... 250	bar
0... 315	bar
0... 400	bar
0... 600	bar
0... 1000	bar

## Process connections

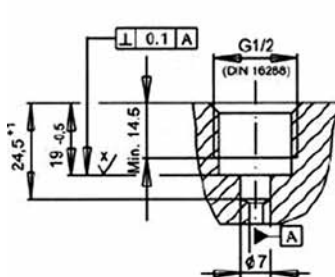
G 1/2" B



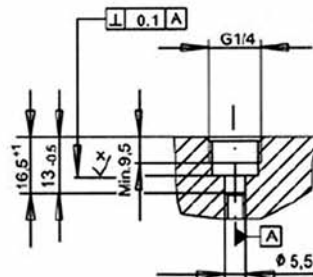
Option: G 1/4" B



DIN 16288 G 1/2



DIN 16288 G 1/4



# BAMO MESURES

22, Rue de la Voie des Bans - Z.I. de la Gare - 95100 ARGENTEUIL  
Tél : (+33) 01 30 25 83 20 - Web : [www.bamo.fr](http://www.bamo.fr)  
Fax : (+33) 01 34 10 16 05 - E-mail : [info@bamo.fr](mailto:info@bamo.fr)

Pressure transmitter  
Industry series

01-09-2014

805 I1 02 B

PR

805-02/2