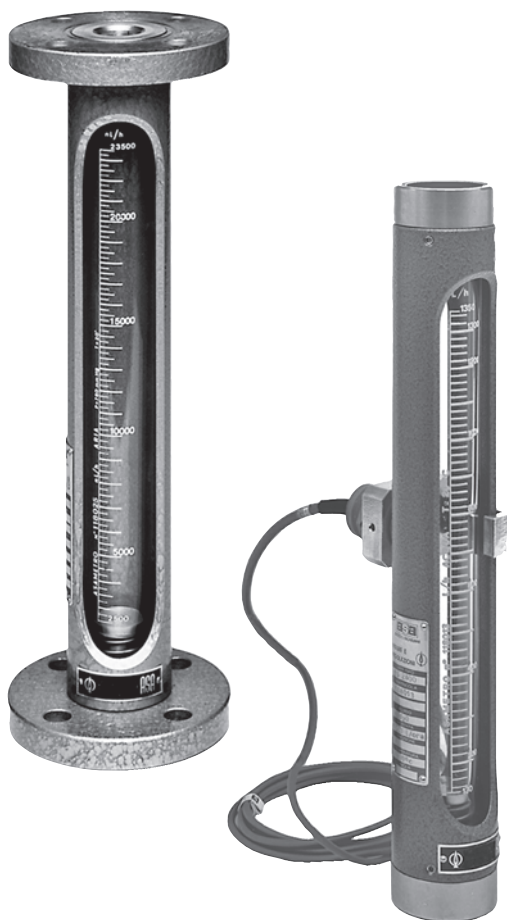


Flow rate indicators E SERIE



- Direct reading
- Easy to use
- Accurate
- Economical
- For liquids and gases

DESCRIPTION

These flow rate indicators are of the same design as variable area flow indicators: a diver is moving inside a vertical conical tube.

Series E are calibrated in factory according to the fluid and operating conditions. For information on the next page are the standard scales for water and dry air.

As an option, adjustable contacts may be fitted on the tube.

TECHNICAL FEATURES

Range:	See next page
Accuracy:	± 2 % F. S.
Reproducibility:	≤ 0.25 % of reading
Graduated scale:	250 mm long (10")
Scale factor:	10 : 1
Temperature:	Buna ring seals: 0...+90 °C FPM ring seals: 0...+120 °C
Fittings:	GAS female, Flanges ISO (else on request), DIN 11851 Male

OPTION: CONTACTS

Mono-stable contact, inductive type, adjustable along the scale.

Reproducibility:	± 0.3 % F.S.
Temperature:	-25...+60 °C
Protection:	IP67
Output:	Cable output, 1 m long cable
Version ATEX:	On request (CENELEC, EEx ib II C)

BAMO MESURES

22, Rue de la Voie des Bans - Z.I. de la Gare - 95100 ARGENTEUIL

Tél : (+33) 01 30 25 83 20 - Web : www.bamo.fr

Fax : (+33) 01 34 10 16 05 - E-mail : info@bamo.fr

Flow rate indicators
E SERIE

27-03-2013

795 I1 01 D

DEB

795-01/1

Tube	Water at 20 °C			AIR at 1013 mbar and 20 °C			max. pressure kg/cm ²	
	L/h		max. ΔP mm CE	NL/h		max. ΔP mm CE		
Conical float	From	to		From	to			
<i>2600: spherical</i>								
Glass	0.07	1		5	60		24	
AISI 316	0.2	3		10	120			
Glass	0.1	2.5		4	120			
Aisi 316	0.2	6		16	220			
Glass	0.05	4		4	190			
AISI 316	0.1	10		10	340			
Glass	0.3	11		20	560			
AISI 316	1	30		40	1000			
C d T	1	45		40	1400			
Glass	1.9	19		85	850			
AISI 316	5	50		160	1600			
C d T	7	70		200	2100			
Glass	0.5	31		50	1150			
AISI 316	1	60		100	2000			
2600	4	40	32	100	1000	20	21	
	6.3	63	79	130	1300	40		
	7	70	97	160	1600	52		
	10	100	73	160	1600	20		
	13	130	124	250	2500	47		
				250	2500	47		
				400	4000	120		
	16	160	39	400	4000	24		21
	25	250	95	600	6000	53		
	32	320	156	630	6300	59		
			1000	10000	148			
2800	40	400	77	1000	10000	60	14	
	63	630	191	1250	12200	87		
	65	680	236	1600	16000	152		
	100	1000	180	1600	16000	55	14	
	130	1300	327	2500	23500	127		
				2500	25000	133		
			4000	40000	340			
3000	160	1600	110	4000	40000	89	10	
	250	2500	272	5500	58000	174		
	320	3200	445	6300	63000	222		
				10000	100000	630	7	
	400	4000	196	6300	63000	60		
	630	6300	485	10000	100000	150		
700	7000	599	12500	125000	234			
			16000	160000	384			
3100	1000	10000	452	16000	160000	135	6	
	1300	13000	763	24000	240000	303		
				25000	250000	322		
				40000	400000	824		

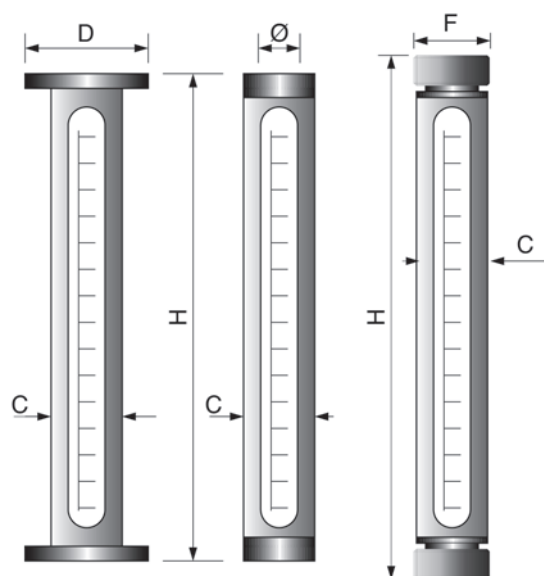
CONSTRUCTION

Fittings:	Carbone steel AISI 316 PVDF Hastelloy, Ti etc.
Flanges:	Stainless steel AISI 316
Tube:	Borosilicated glass
Diver, spherical:	<i>See table</i>
Diver, conical:	AISI 316 Aluminium (Air) PVDF, PTFE Hastelloy (B or C) Monel or Ti
Stoppers:	AISI 316 PVDF Hastelloy, monel
Seals:	Buna N (standard) FPM
Body:	Carbon steel AISI 304 L

ACCESSORIES

Protection screen:	PMMA
Guid float:	AISI 316 or same as diver material

Bold characters concern divers made of aluminium



E5 series - Female threaded fittings

N°	Ø	C	H	Weight (kg)
E5-2600	1/2"	38	360	1.000
E5-2800	1"	54	360	2.100
E5-3000	1 1/2"	80	460	5.900
E5-3100	2"	100	490	9.600

E6 series - Flanges PN 10

N°	DN	C	D	H	Weight (kg)
E6-2600	15	38	95	353	2.200
E6-2800	25	54	115	353	4.100
E6-3000	40	80	150	446	9.200
E6-3100	65	100	185	480	15.200

E5 series - Male threaded DIN 11851

N°	DN	C	F	H	Weight (kg)
E5-2600	20	38	44 x 1/6	357	1.200
E6-2800	25	54	52 x 1/6	381	2.500
E6-3000	40	80	65 x 1/6	470	8.100
E6-3100	65	100	95 x 1/6	510	12.500

BAMO MESURES

22, Rue de la Voie des Bans - Z.I. de la Gare - 95100 ARGENTEUIL

Tél : (+33) 01 30 25 83 20 - Web : www.bamo.fr

Fax : (+33) 01 34 10 16 05 - E-mail : info@bamo.fr

Flow rate indicators
E SERIE

27-03-2013

795 I1 01 D

DEB

795-01/2