

ULTRASONIC FLOW METER BAMOFLONIC 42i



- 4 instruments: ND 5, 7, 10 and 15
- For liquids, conductive or not conductive
- Scales, from 0.024 L/min - up to 60 L/min
- Analogue output: 0/4-20 mA
- Digital output: to configure on site
- Back-lighted display

PRINCIPLE / APPLICATIONS

BAMOFLONIC 42i is an ultrasonic flow meter based on the phase difference approach. This phase difference is directly proportional to the flow rate. It is convenient for liquids electrically conductive or not. As no moving parts are concerned, BAMOFLONIC is mechanically reliable. Construction features reduce all dead zones along the measuring tube; BAMOFLONIC 42i offers a great accuracy on small flow rates.

Materials, PE-HD and PVDF, allow large application fields:

Demineralized water processing / Cosmetics, liquids / Strong alkali / Strong acids

Some chemicals (or concentration level) are not compatible with ultrasonic principle; this is your responsibility to verify the principle is adequate with your fluid.

TECHNICAL FEATURES

Power supply: 24 V DC / 3.6 W
 Connector: M12 (5 pins)
 Display: Numerical, Back-lighted
 Protection: IP65

OUTPUTS Digital output: Pulses, empty tube alarm, reverse flow alarm, dosage, Min or max flow rate
 Analogue output: 0/4-20 mA, to configure on site

ACCURACY Standard: $\pm 2\%$ of reading and ± 3 mm/s
 Option: $\pm 1\%$ of reading and ± 3 mm/s
 (according VDI/VDE 2642)

Repeatability: 0.5%

MEASURING CELL

Wetted parts: Or PE-HD version, or PVDF version

FLUID Temperature limits: 0 to +60°C
 Pressure limit: 7 bar at 20 °C

Factory options: - Kit with software & adaptor USB/ RS485 for parameters configuration
 - Remote display module

CODE NUMBERS AND REFERENCES

Codes / PE-HD	776 030	776 032	776 034	776 036
Codes / PVDF	776 030	776 042	776 044	776 046
DN [mm]	DN 5	DN 7	DN 10	DN 15
Range [L/min]	0,024...3	0,09...6	0,3...24	0,9...60
Range [L/H]	1,44...180	5,4...360	18...1440	54...3600
Pression maxi	7 bar	7 bar	7 bar	7 bar
Fittings (BSP)	1/2" G	1/2" G	3/4" G	1" G

• Measuring ranges at constant flow; Pulsating flow measurement possible above 0.5 L/h (0.008 L/min)
 • Optional fittings (BSP): PP as 1/2", 3/4", 1" or PVDF as 3/8", 1/2", 3/4"

BAMO MESURES

22, Rue de la Voie des Bans - Z.I. de la Gare - 95100 ARGENTEUIL

Tél : (+33) 01 30 25 83 20 - Web : www.bamo.fr

Fax : (+33) 01 34 10 16 05 - E-mail : info@bamo.fr

ULTRASONIC FLOW METER BAMOFLONIC 42i

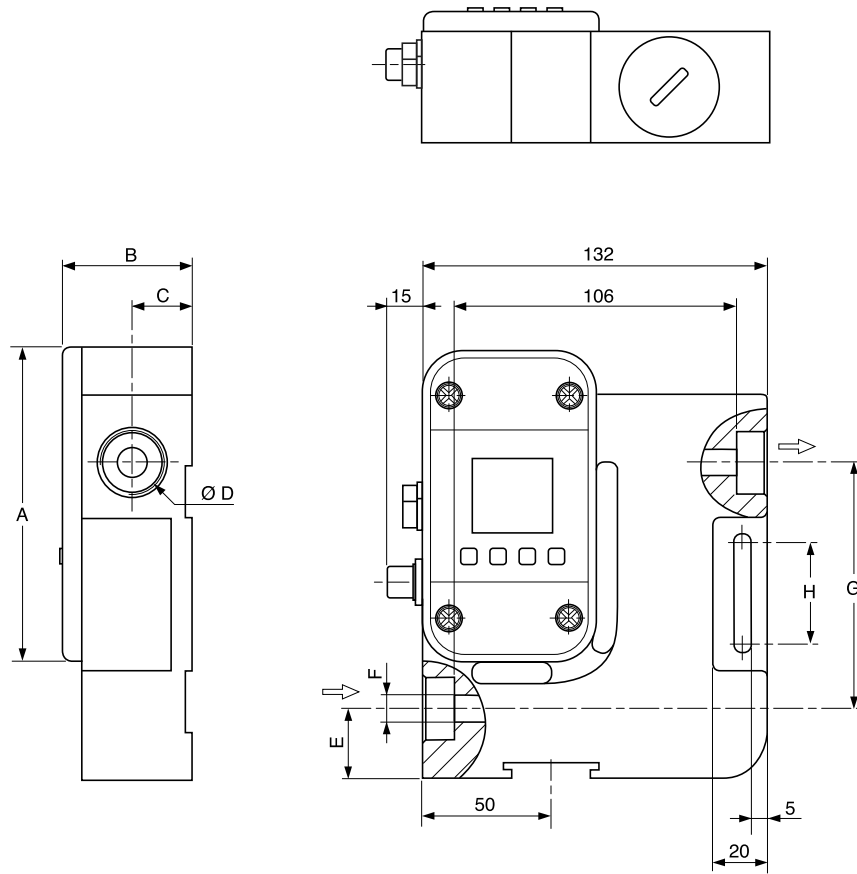
09-09-2016

776 I1 04 B

DEB

776-04/1

DIMENSIONS / WEIGHT



DN	A [mm]	B [mm]	C [mm]	D	E [mm]	F [mm]	G [mm]	H [mm]	PE-HD [g]	PVDF [g]
ND 5	167,5	50	23	1/2" G	25	7	98	40	670	1100
ND 7	167,5	50	23	1/2" G	25	7	98	40	670	1100
ND 10	170,5	50	23	3/4" G	26,5	10	95	40	720	1190
ND 15	175,5	55	25	1" G	29	15	90	30	895	1470

776

BAMO MESURES

22, Rue de la Voie des Bans - Z.I. de la Gare - 95100 ARGENTEUIL
 Tél : (+33) 01 30 25 83 20 - Web : www.bamo.fr
 Fax : (+33) 01 34 10 16 05 - E-mail : info@bamo.fr

**ULTRASONIC FLOW METER
 BAMOFLONIC 42i**

09-09-2016

776 I1 04 B

DEB

776-04/2