

FLOW CONTROLLER CDA



- Mounting: vertical or horizontal
- Metallic blind flow controller
- Not affected by pressure
- Construction: brass or stainless steel
- Adjustable change over contact: N.O.
- Range: 10 scales from 0.005 up to 150 L/min
- Temperature: 0 to 100°C
- Pressure up to 300 bar

APPLICATION

This model CDA is designed for cooling circuit survey, or survey of any high pressure circuits, to protect pumps against flow less accidents.

PRINCIPLE

The fluid moves over an orifice plate with a built-in magnet. A compensating spring allows the mounting in any position.

CDA operates without incidence of pressure even with low flow rates.

A Reed contact is adjustable all along the scale. The contact is Normally Open (opened with flow less conditions).

TECHNICAL FEATURES

Pressure limits	Fitting 1/4": 300 bar Fittings 1/2" and 1": 250 bar
Temperature limits:	0 to 100 °C (<i>sealing NBR</i>)
Scale unit:	In L/min of water at 20 °C
Accuracy:	±10 %
Pressure drop:	0.02 to 0.4 bar (<i>acc. F.S.</i>)
Contact:	N.O.
Switching power:	<i>Please refer to description further on.</i>
Hysteresis:	≈1.5 mm
Connector:	DIN 43650 - IP 65
Seals:	NBR
Magnet:	Ferrite

Brass version

Body, fittings, orifice plate:	Brass
Spring:	Stainless steel 304

Stainless steel version

Body, fittings, orifice plate:	Stainless steel 316 L
Spring:	Stainless steel 304

BAMO MESURES

22, Rue de la Voie des Bans - Z.I. de la Gare - 95100 ARGENTEUIL

Tél : (+33) 01 30 25 83 20 - Web : www.bamo.fr

Fax : (+33) 01 34 10 16 05 - E-mail : info@bamo.fr

**FLOW CONTROLLER
CDA**

18-11-2015

722 I1 01 F

DEB

722-01/1

CONTACTS: Description and technical features

Caution: The Reed contact is inside polyamide housing. Protect it against over-riding.

The adjustment is continuous, sliding the switch along its guide and fixed it up with a screw. The connector is type DIN 43650, IP 65.

Contact N.O., opened with low flow

Fitting 1":	230 V / 1 A / 50 VA
Fitting 1/2":	230 V / 3 A / 60 VA
Fitting 1/4":	200 V / 1 A / 20 VA

Change over contact (option)

Fittings 1/2" and 1":	250 V / 1.5 A / 50 VA
Fitting 1/4":	200 V / 1 A / 20 VA

Ex area (option); Contact ATEX, EEx m IIC T6

Fittings 1/2" and 1":	Change over: 250 V / 1 A / 30 VA
	N.O.: 250 V / 2 A / 60 VA

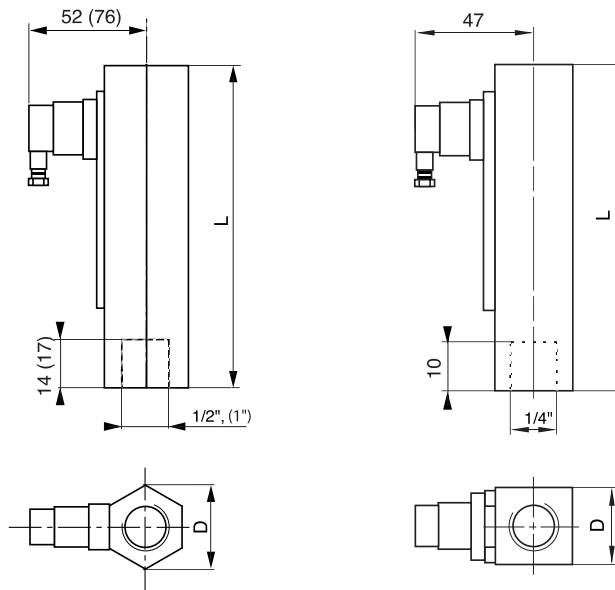
CODE NUMBERS AND REFERENCES

Type	Code Brass	Code AISI 316	Fitting	Range L /min H ₂ O	L [mm]	D [mm]	Mass [g]
CDA 01	722 100	722 200	1/4"	0.005 - 0.060	65	17	140
CDA 02	722 102	722 202	1/4"	0.04 - 0.13	65	17	140
CDA 06	722 106	722 206	1/4"	0.1 - 0.6	65	17	140
CDA 3	722 108	722 208	1/4"	0.5 - 3	65	17	140
CDA 7	722 127	722 227	1/2"	2 - 7	90	31	350
CDA 13	722 128	722 228	1/2"	3 - 13	90	31	350
CDA 20	722 129	722 229	1/2"	4 - 20	90	31	350
CDA 45	722 133	722 233	1"	15 - 45	130	47	1050
CDA 90	722 136	722 236	1"	30 - 90	130	47	1050
CDA 150	722 139	722 239	1"	60 - 150	130	47	1050

Specific scales: compressed air

Available for 1 bar absolute at 20 °C.

Fitting	Range NL /min Air
1/4"	0.6 - 2.2
	1.7 - 6
	2.5 - 8
	3 - 12
	3 - 22
	7 - 24
	12 - 34
	16 - 56
1/2"	20 - 80
	2,5 - 10
	5,5 - 20
	8 - 30
	10 - 35
	24 - 90
	55 - 220
	65 - 240
1"	80 - 300
	140 - 525
	60 - 180
1"	100 - 300
	200 - 650



STARTING UP

Series CDA is designed for mounting in vertical or horizontal hydraulic pipe lines. Fluid must not contain particles, better to fit before the instrument a convenient filter. The controller must be mounted away from magnetic induction fields. Any ferrous parts must be at 10 cm minimum from the contact. Caution to respect the switching power. Amplifying relays are available (ES 2001); please see the data sheet 250-02. Adjustment of trigger point: in front of flow rate indicated on the graduated ruler.

BAMO MESURES

22, Rue de la Voie des Bans - Z.I. de la Gare - 95100 ARGENTEUIL

Tél : (+33) 01 30 25 83 20 - Web : www.bamo.fr

Fax : (+33) 01 34 10 16 05 - E-mail : info@bamo.fr

**FLOW CONTROLLER
CDA**

18-11-2015

722 I1 01 F

DEB

722-01/2