

PADDLE FLOW SWITCH CDP 57



- Brass or stainless steel 316 Ti
- Nominal Diameter from 10 to 150 mm
- In-line mounting,
or insertion type with a BSP 1/2" MG

PRINCIPLE

The liquid pushes the paddle. The stem head includes a magnet for actuating the Reed switch. A counter-magnet in the housing, keeps the stem head in front of the Reed contact. When the pressure from liquid (high flow rate) is sufficient, the head position changes and the Reed contact status changes.

CONTACT

The Reed contact is NC either NO, 3 wires. It is recommended the use of a relay ES2001 to protect the Reed (*please, see the doc. 250-01*).

TECHNICAL FEATURES

Housing and threading:	Stainless steel 316 Ti, or brass
Thread:	BSP 1/2" MG
Ring:	FPM for stainless steel model NBR for brass model
Pipes:	ND 50 to ND 200
Maximal temperature:	110 °C
Ambiant temperature:	70 °C
Maximal pressure:	25 bar
Contact:	NO or NC (<i>according to index</i>)
Switching power:	26 VA / 230 VAC / 1 A 20 W / 48 VDC / 1 A (<i>other on request</i>)
Setting:	± 15 % of horizontal pipe value (<i>report to table</i>)
Protection:	IP 65

CODES NUMBERS and REFERENCES

Code	References	Designation
710 157	CDP 57 1/2"	Flow paddle switch - Brass
710 257	CDP 57 1/2"	Flow paddle switch - Stainless steel

MOUNTING

The setting values are for water at 20°C in a horizontal pipeline. The mounting can be vertical with upstream flow; the setting values will be increased. Maximal slope of downstream pipeline is 40%.

BAMO MESURES

22, Rue de la Voie des Bans - Z.I. de la Gare - 95100 ARGENTEUIL

Tél : (+33) 01 30 25 83 20 - Web : www.bamo.fr

Fax : (+33) 01 34 10 16 05 - E-mail : info@bamo.fr

PADDLE FLOW SWITCH CDP 57

10-11-2009

710 I2 02 G

DEB

710-02/1

710

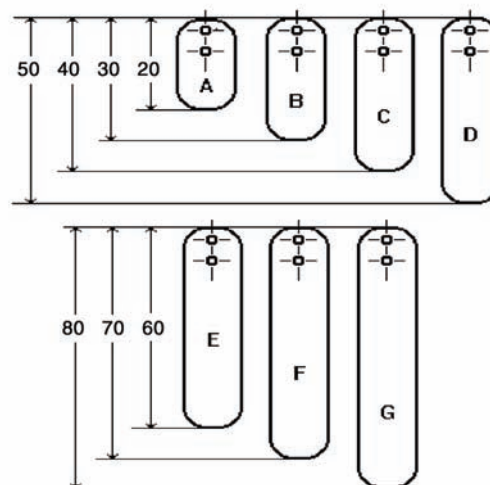
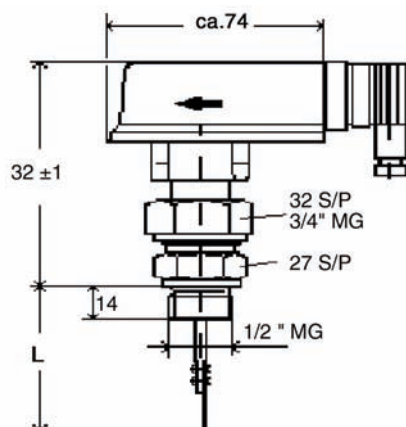
SWITCHING POINT

For H₂O / 20°C

Paddle	Dimensions	Nominal Ø	Flow rate / switching point			
			Flow rate increasing (m ³ /h)		Flow rate decreasing (m ³ /h)	
A	20 x 12 mm	50	4,30	5,20	3,70	4,50
		60	6,40	7,40	5,60	6,60
		80	11,00	12,50	10,00	11,50
		100	14,00	19,00	13,00	18,00
		150	40,00	48,00	36,00	44,00
		200		100,00		90,00
B	30 x 12 mm	50	3,10	3,70	2,60	3,20
		60	5,20	6,00	4,50	5,20
		80	9,40	10,50	8,40	9,80
		100	12,00	14,00	10,00	12,00
		150	32,00	38,00	28,00	34,00
		200		80,00		70,00
C	40 x 12 mm	60	4,20	4,70	3,40	4,00
		80	8,00	9,10	7,00	8,10
		100	11,00	13,00	9,00	11,00
		150	28,00	34,00	24,00	32,00
		200		65,00		
D	50 x 12 mm	80	6,80	7,80	5,80	7,80
		100	10,20	13,00	8,80	12,00
		150	24,00	28,00	20,00	24,00
		200		52,00		44,00
E	60 x 12 mm	80	6,00	7,00	5,00	6,20
		100	9,00	10,40	7,80	9,20
		150	20,00	24,00	16,00	20,00
		200		46,00		40,00
F	70 x 12 mm	100	8,00	9,40	6,80	8,20
		150	16,00	22,00	12,00	18,00
		200		42,00		34,00
G	80 x 12 mm	100	7,40	8,60	6,20	7,40
		150	12,00	20,00	10,00	16,00
		200		40,00		32,00

DIMENSIONS

CDP 57



BAMO MESURES

22, Rue de la Voie des Bans - Z.I. de la Gare - 95100 ARGENTEUIL

Tél : (+33) 01 30 25 83 20 - Web : www.bamo.fr

Fax : (+33) 01 34 10 16 05 - E-mail : info@bamo.fr

**PADDLE FLOW SWITCH
CDP 57**

10-11-2009

710 I2 02 G

DEB

710-02/2