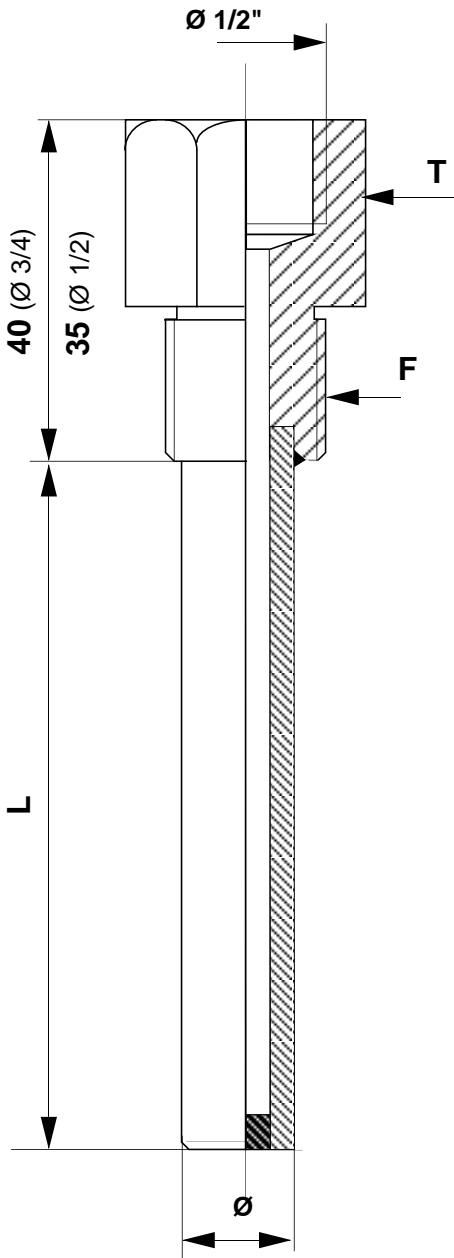


INDUSTRIAL THERMOWELLS

- Welding tube

- S.Steel 316 L, PVC, PPH, PVDF

- Process connection Threaded Flange



SPECIFICATION

Process Connection (F)

- 1/2 " Male Gas (T=27)
- 1/2 " Male NPT (T=27)
- 3/4 " Male NPT (T=30)
- Flange DN32 PN10/16
- Flange DN40 PN10/16
- Bride DN50 PN10/16
- Flange DN32 PN20
- Flange DN40 PN20
- Flange DN50 PN20
- Other on request

Well material

- Stainless Steel 316 L
- PVC
- PPH
- PVDF

Length (L)

From 50 up to 500 mm

Diameter for S.Steel (Ø)

- 10 x 1
- 12 x 1
- 13,71 x 2,24
- 14 x 1
- 21,3 x 2,8

Diameter for Plastic (Ø)

- 12 x 1
- 16 x 1,2

1
2
3
31
41
51
32
42
52
x

I
P
H
V

xxx

10
12
13
14
21

12
16

TWS

TWS

BAMO MESURES

22, Rue de la Voie des Bans - Z.I. de la Gare - 95100 ARGENTEUIL
 Tél : (+33) 01 30 25 83 20 - Web : www.bamo.fr
 Fax : (+33) 01 34 10 16 05 - E-mail : info@bamo.fr

INDUSTRIAL
THERMOWELLS
TWS

14/05/99

635/11 01 A

DOC

635/1

635