

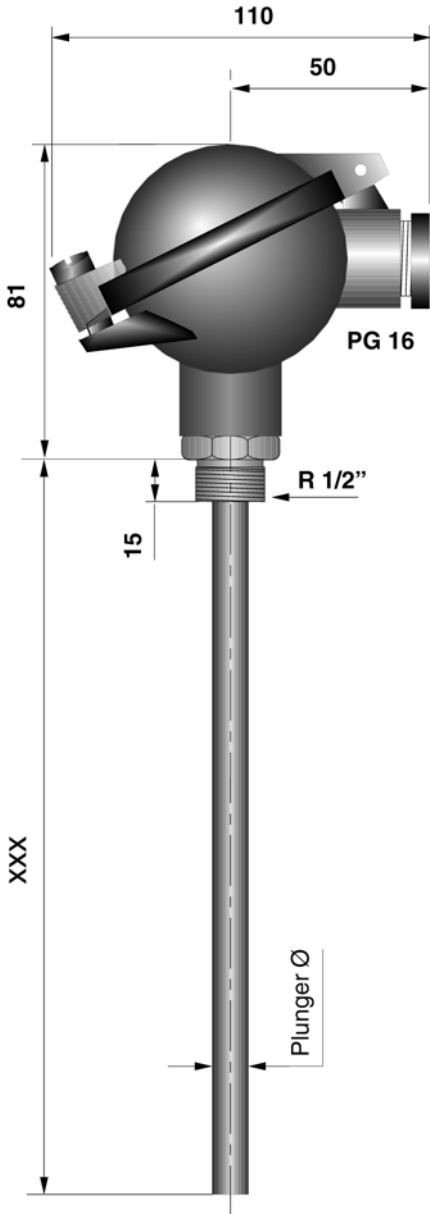
# Pt 100 Ω TEMPERATURE PROBE TS 11

- Pt 100 Ω at 0 °C

- Measure scale - 50 to + 250 °C

- Wetted parts S.Steel 316L

- Industrial head



## DESCRIPTION AND FEATURES

TS 11

### Connection

Without  
1/2" Mâle Gas  
1/2" Mâle NPT

0  
1  
2

### Probe material

S.Steel 316 L

I

### Plunger length

from 50 to 999 mm

xxx

### Plunger diameter

6 mm (Maxi 500 mm)  
8 mm (Max 800 mm)  
10 mm

06  
08  
10

### Sensible element

Simple 3 wires  
Simple 4 wires  
Duplex 2x3 wires

3  
4  
6

### Accuracy

Class A  
Class B

A  
B

### Electric connection

Céramic terminal box  
4-20 mA Transmitter

C  
T

### Head

B  
DB  
PVC  
NORYL

B  
DB  
PVC  
NS

TS 11 I [ ] [ ] [ ] [ ] [ ] [ ] [ ] [ ] [ ]

611