

# Continuous level transmitter RTM



- Continuous level transmitter
- Output 4-20 mA or Ohm
- Accuracy: 10 mm
- Direct mounting above the tank
- Available for MAGTOP and SFA

## PRINCIPLE

The continuous level transmitter works with a float (built-in magnet), sliding on a vertical stem. Change to the fluid level causes the float to rise or drop vertically. The magnet actuates mono-stable Reed contacts; they are equipped with resistors, all fixed on an internal ruler. Then, the resistance value varies as the fluid level changes. Depending upon total resistance, the measuring transducer generates a signal proportional to the fluid level as a 4-20 mA or Ohm output signal. The RTM is adapted to our level indicator and controllers MAGTOP, SFA, MNR 6 and MNR 7.

## APPLICATIONS

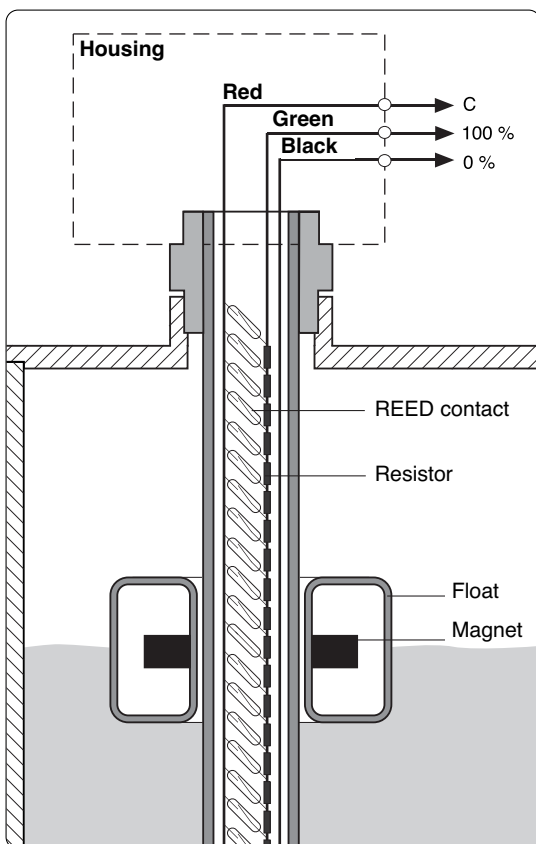
The maximal length is 1500 mm; any other longer stem feasibility may be on special study.

## TECHNICAL FEATURES

Switches:	Special REED contacts
Signal output	Resistance: up to 10 kΩ, or current or 4-20 mA / 13 to 30 V DC (2 wires transmitter)
Internal ruler:	Glass-circuit in epoxy resin
Length:	250 mm (min) ... 1500 mm (max)
Resolution:	10 mm measuring step
Stem:	PVC-U           0...+50 °C PPh             5...+80 °C PVDF           0...+100 °C Stainless steel -10...+110 °C (AISI 316 L / DIN 1.4404)
Housing:	Plastic PBT, IP 65 Aluminium

## ASSOCIATED ELECTRONICS

For display panel or wall mounting, please see our documentations number 200+.



**BAMO MESURES**

22, Rue de la Voie des Bans - Z.I. de la Gare - 95100 ARGENTEUIL  
Tél : (+33) 01 30 25 83 20 - Web : [www.bamo.fr](http://www.bamo.fr)  
Fax : (+33) 01 34 10 16 05 - E-mail : [info@bamo.fr](mailto:info@bamo.fr)

Continuous level transmitter  
**RTM**

02-09-2008

586 I1 01 F

**NIV**

**586-01/1**

## DESCRIPTION

### Type

Immersion probe MNR  
Set assembly MAG

### Material of stem and connection

PVC Ø 16  
Stainless steel Ø 14  
PPh Ø 16  
PVDF Ø 16

### Material float

PPh Ø 75  
PVDF Ø 76  
Stainless steel Ø 91  
Stainless steel Ø 42

### Measure length

250 mm to 1500 mm

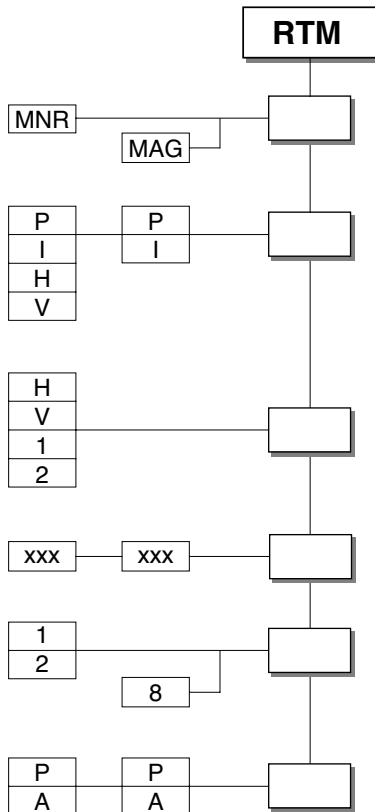
### Process connection

Stainless steel BSP 1/2"  
Plastic 1"  
Without

### Output

Ohm  
4/20 mA

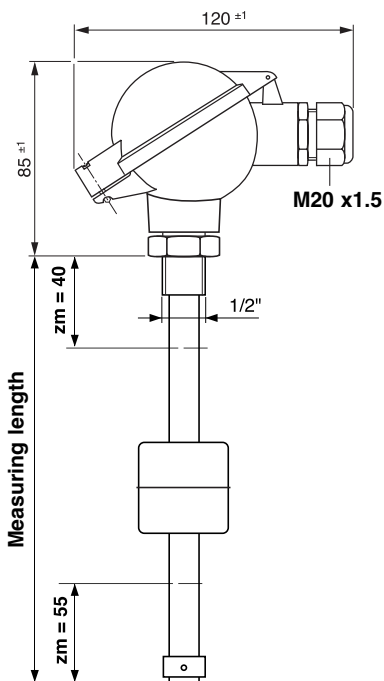
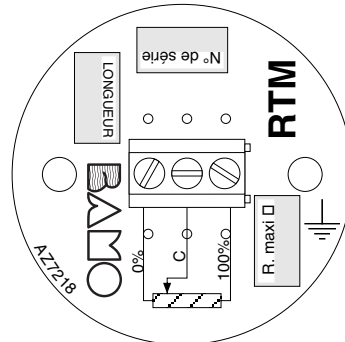
## RTM



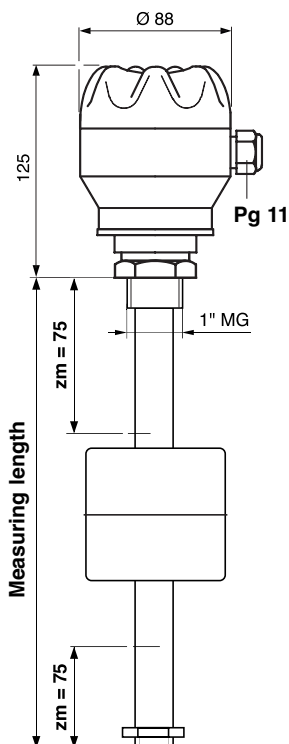
## NOTE

For RTM MAG, please specify the distance between connections axis and instrument in association.

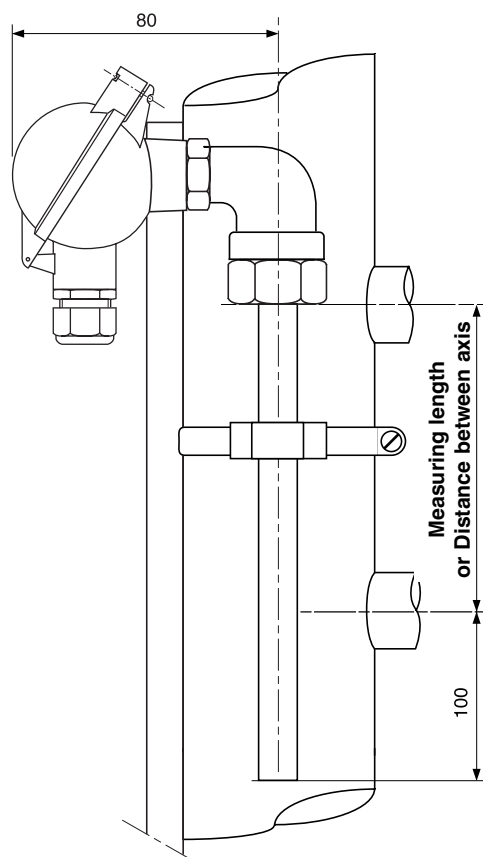
## WIRING for Ohm output type



RTM-MNR-I-2-xxx-1



RTM-MNR-P-H-xxx-2



RTM-MAG-I-xxx-8 (Mounting on MAGTOP)

# BAMO MESURES

22, Rue de la Voie des Bans - Z.I. de la Gare - 95100 ARGENTEUIL  
Tél : (+33) 01 30 25 83 20 - Web : [www.bamo.fr](http://www.bamo.fr)  
Fax : (+33) 01 34 10 16 05 - E-mail : [info@bamo.fr](mailto:info@bamo.fr)

Continuous level transmitter  
**RTM**

02-09-2008

586 I1 01 F

**NIV**

**586-01/2**