

# LEVEL SWITCH BY MICROSWITCH BSM 500



BSM 500 / MAGTOP

- Strong braking capacity 500 VA
- Reverse and bistable switch
- IP 65 Box

## PRINCIPLE

Magnetic handle, driven by float or conterweight, establish a dry contact operating on a microswitch. The various components such as terminal block are lead on printed board, the totality in an IP 65 box equipped with an output Pg13,5 stuffing box, and a S. Steel clamp for mounting on standard tube diameter 32, 35, 63 mm.

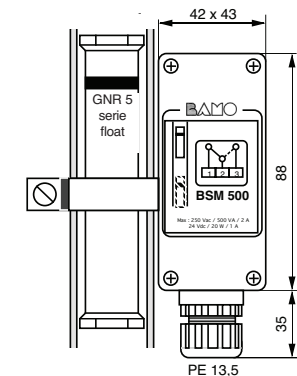
All our magnetic floats and conterweight, can order switch BSM 500 installed on the level mounting. For complete installations , see our GNR 5, GNR 6, SFA, SFA/E, MAGTOP series.

## TECHNICAL CHARACTERISTICS

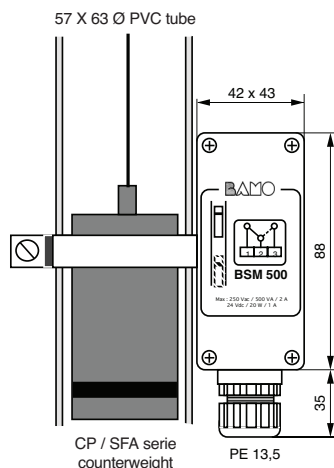
Bracking capacity	: 500 VA / 250 Vac / 2A
Contact	: Reversale inversor microswitch
Box	: Polycarbonate
Protection	: IP 65
Temperature	: -10°C to 90°C
Clamp	: S. Steel for tube diameter 32 or 63

## ACTIONNEURS ELEMENTS

Code	Type	Reference
570 075	GNR 51 PPh	Float for GNR 5 Glass
570 080	GNR 52 PPh	Float for GNR 5 Ø 32 PVC
570 082	GNR 53 PVDF	Float for GNR 5 Ø 32 PVC
570 085	GNR 62	Float for GNR 6 PVC
583 400	CP/SFA	SFA and SFA/E Counterweight
560...	Any other	MAGTOP Float



27 X 32 Ø PVC tube  
or  
29 X 35 Ø glass tube



CP / SFA serie  
counterweight

## CODES AND REFERENCES

Code	Type	Reference
585 032	BSM 500 / 32	For GNR 5 and FS4
585 063	BSM 500 / 63	For SFA, SFA/E and GNR 6

## DIRECTION FOR USE

- The bracking capacity is particularly high, BSM 500 contact can brake in direct every relays and solenoïde valves. It is important to respect the bracking capacity for others elements.
- Fix the contact with the stuffing box positioned at the bottom with the Stainless Steel collar.  
Do not over screw the collar.
- Initialize switch with the float or conterweight making it drive up and down as to get switch in the indicated position. Contact will be in the same position as indicated on the silk-screen printed.

# BAMO MESURES

22, Rue de la Voie des Bans - 95 100 ARGENTEUIL - FRANCE  
Tél : (+33) 01 30 25 83 20 - E-mail : info@bamo.fr  
Fax : (+33) 01 34 10 16 05 - Site : http://www.bamo.fr

LEVEL SWITCH  
FOR FLOAT SYSTEMS  
**BSM 500**

23-05-2006

585 IT 01 D

**NIV**

**585/1**