

Level controllers and indicators CF3/ CF4 Series



- Tank height from 250 to 3000 mm
- Transmission: angle drive
- Fitting: male 2" BSP
- Head housing: IP 54
- 3 possible functions:
Direct reading
With 1 to 3 contacts, potential free
Output signal: continuous resistive signal (Ω)

APPLICATIONS

Gauge for level display and filling control.

- Diesel in storage tank or day-tank
- Stored lubricating oil, glycol water, rainwater

Particularly suited to meet the needs and conditions of use for storage tank or day-tank of diesel generators.

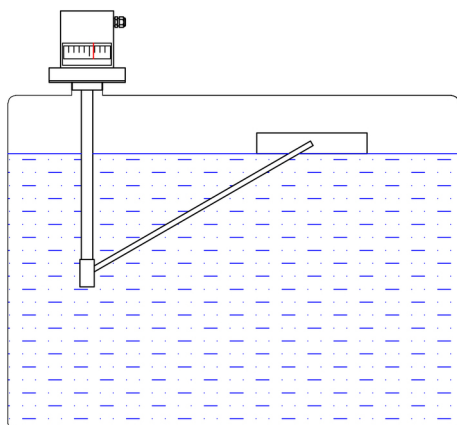
DESCRIPTION

The electric gauge is mounted above the tank. Against the liquid height, the float transmits the level through an angle drive to a vertical stem. The stem actuates on a pointer associated with a graduated dial to display the level in the tank. Depending on the model, it can also act on contacts, and/ or a potentiometer which will deliver an ohmic value image of measurement.

The instrument is available with several functions:

- 1 continuous signal output (Ω)
- Display for direct reading of level
 For commodity, the level is visible on 2 opposite sides.
- 1 to 3 contacts (potential free)
 Option: on request up to 5 contacts

The complete system is supplied ready to install and to use.



TECHNICAL FEATURES

Materials	Steel, Nylon Float: Foamed PVC
Flange seal	Cork gasket
Fitting	2" BSP, male
Head housing	IP 54
Operating pressure	Atmospheric
Operating temperature	Between 0 and 40 °C
Measuring distances	Model 1: From 250 up to 1100 mm Model 2: From 1100 up to 3000 mm
Scale:	Liters
Contact(s)	Default setting: Filling function: ON at 50 % and OFF at 80 % capacity (2-way contact, 10 A, 230 V, potential free) - High level: 90 % capacity (Change-over contact, 10 A, 230 V, potential free) - Low level alarm: 30 % capacity (Change-over contact, 10 A, 230 V, potential free) <i>On request: Factory adjustment between 10 and 90 %.</i>
Output, resistive signal	From 0 to 90 Ω (approx., ± 15 %)

BAMO MESURES

22, Rue de la Voie des Bans · Z.I. de la gare · 95100 ARGENTEUIL
 Tel +33 (0)1 30 25 83 20 Web www.bamo.fr
 Fax +33 (0)1 34 10 16 05 E-mail info@bamo.fr

Level controllers and indicators
CF3/ CF4 Series

13-11-2018

D-579.02-EN-AB

NIV

579-02/1

579

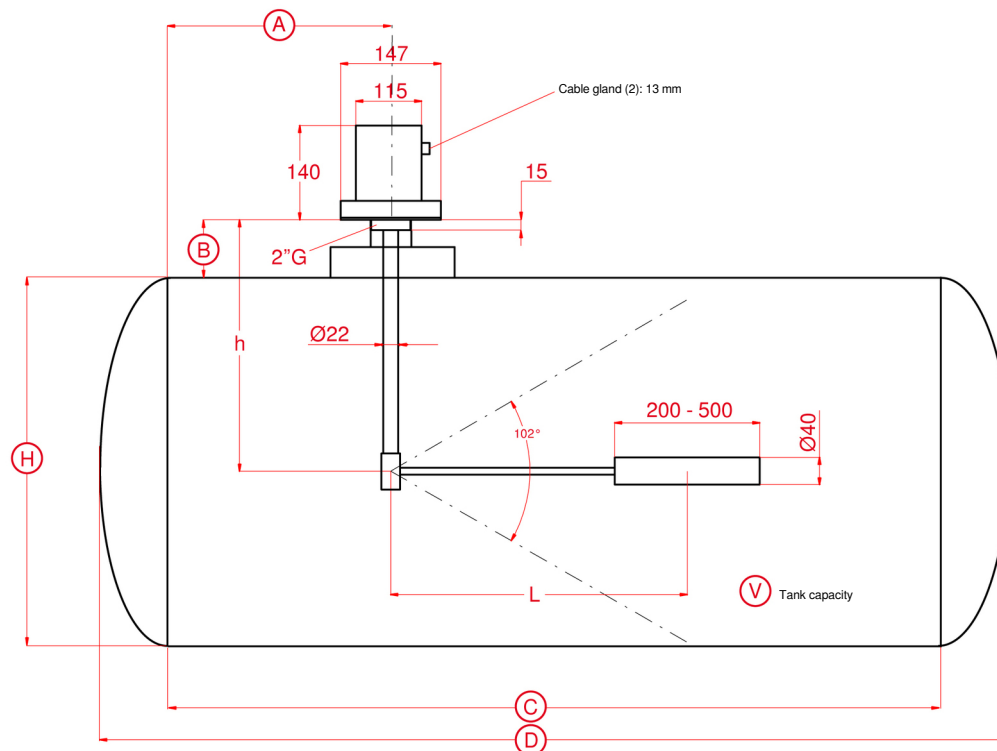
579

CODE NUMBERS AND REFERENCES

Code	Reference	Direct reading	Output Ω	Contacts		
				LOW Level	HIGH Level	ON/ OFF
Model 1: distance from 250 up to 1100 mm						
579 050	CF3	●	●			
579 054	CF3-1S	●	●	●		
579 058	CF3-2S	●	●	●	●	
579 070	CF4 RD SIA	●	●	●	●	●
579 200	CF4	●		●	●	●
579 220	CF20			●	●	●
579 300	JLD20	●				
579 636	CF102			●		
579 641	CF103			●	●	
Model 2: Distance from 1100 up to 3000 mm						
579 052	CF3 G	●	●			
579 056	CF3 G-1S	●	●	●		
579 060	CF3 G-2S	●	●	●	●	
579 072	CF4 RD SIA G	●	●	●	●	●
579 210	CF4 G	●		●	●	●
579 225	CF20 G			●	●	●
579 304	JLD20 G	●				
579 637	CF102 G			●		
579 642	CF103 G			●	●	

DIMENSIONS

Dimensional (not to scale)



Dimensions A, B, C, D, H and V (tank volume) must be confirmed on purchase order.
In case of a rectangular shaped tank, the width must be mentioned as well.

BAMO MESURES

22, Rue de la Voie des Bans · Z.I. de la gare · 95100 ARGENTEUIL

Tel +33 (0)1 30 25 83 20 Web www.bamo.fr

Fax +33 (0)1 34 10 16 05 E-mail info@bamo.fr

Level controllers and
indicators

CF3/ CF4 Series

13-11-2018

D-579.02-EN-AB

NIV

579-02/2