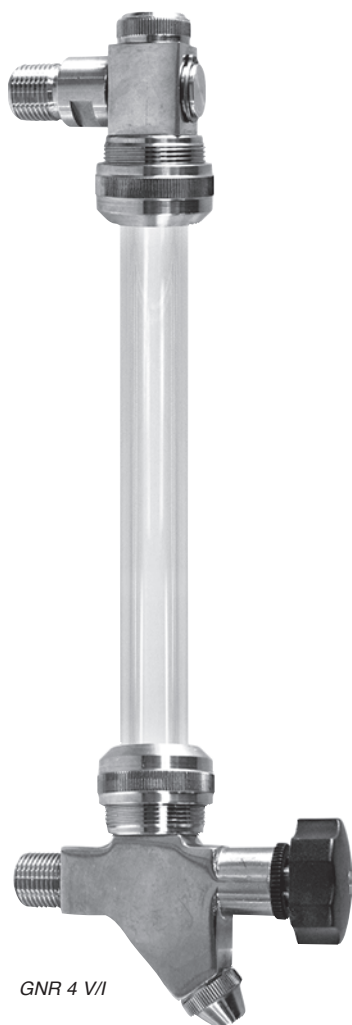


Direct reading level indicator GNR 4



- Armatures in stainless steel 316 L
- Nuts in plastic or stainless steel 316
- Reading tube in glass or PMMA
- Integrated stop valve
- Integrated drain and vent plugs
- Process connections: 1/2" G, stainless steel
- Centre to centre distance: 150 to 1500 mm

DESCRIPTION

GNR 4 allows a direct reading of liquid level through the transparent measuring tube. Tube material to choose: or glass or PMMA. Small dimension armatures are designed for short measuring distance, tanks with low heights of fluid.

Lower fitting integrates a stop valve and drain plug. Upper fitting integrates a vent plug. This model GNR 4 is not compatible with use of a float, neither adaptation of level switches.

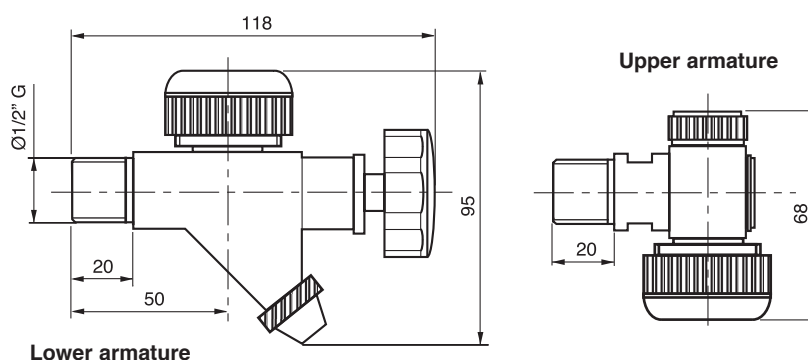
TECHNICAL FEATURES

GNR 4 P/P

Armatures: Stainless steel 316 L
 Reading tube: PMMA (*Polymethyl methacrylate*)
 Sealing: Silicone et EPDM
 Fittings: 1/2" G
 Nuts: Plastic

GNR 4 V/I

Armatures: Stainless steel 316 L
 Reading tube: Glass
 Sealing: Silicone et EPDM
 Fittings: 1/2" G
 Nuts: Stainless steel



CODE NUMBERS AND REFERENCES

Code	Reference	Description
574 100	GNR 4 P/P	GNR 4, reading tube in PMMA, plastic nuts
574 200	GNR 4 V/I	GNR 4, reading tube in glass, AISI316 nuts

BAMO MESURES

22, Rue de la Voie des Bans - Z.I. de la Gare - 95100 ARGENTEUIL

Tél : (+33) 01 30 25 83 20 - Web : www.bamo.fr

Fax : (+33) 01 34 10 16 05 - E-mail : info@bamo.fr

Direct reading level indicator
GNR 4

20-02-2015

574 I1 01 B

NIV

574-01/1